

# PRODUCT SPECIFICATION

**Model No.: FYL-3019EGW1A-CC**

Descriptions:
<ul style="list-style-type: none"> <li>■ Dice material: GaAsP; AlGaInP.</li> <li>■ Emitting Color: Orange, Yellow Green.</li> <li>■ Device Outline: <math>\Phi</math>3mm round type.</li> <li>■ Lens Type: White Diffused.</li> </ul>



CUSTOMER APPROVED SIGNATURES	APPROVED BY	CHECKED BY	PREPARED BY

**NINGBO FORYARD OPTOELECTRONICS CO.,LTD.**

**Add:**No. 666 Jinghua Road, Hi-tech Park, Ningbo, Zhejiang, China

**Zip:**315103

**Tel:** 0086-574-87933652 87922206 87927870

**Fax:** 0086-574-87927917

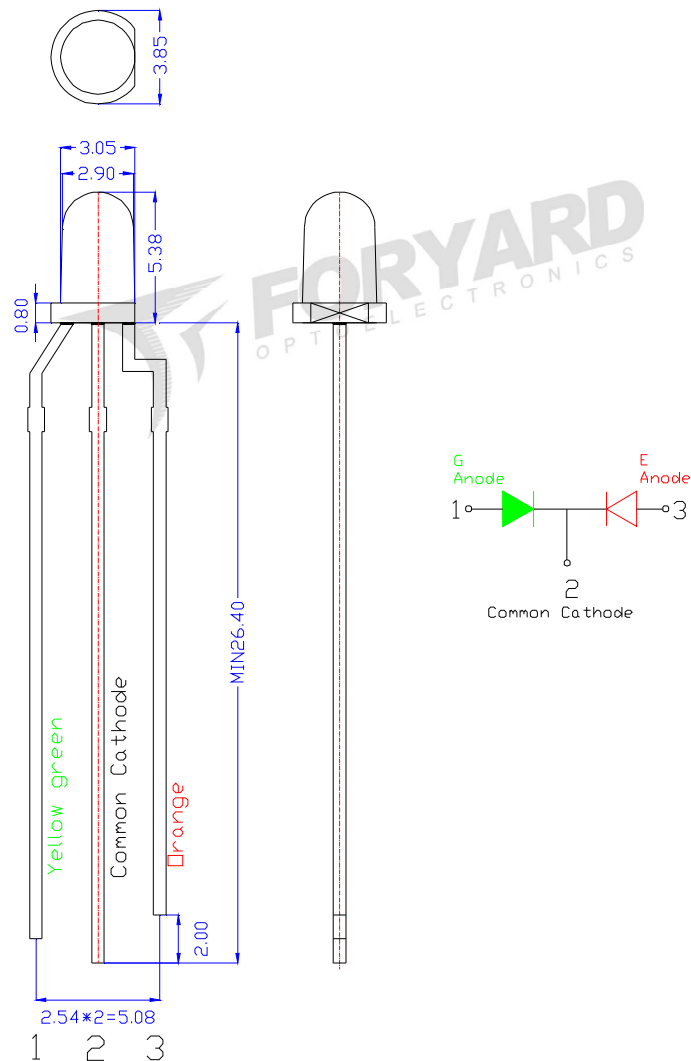
**E-mail:**Sales@foryard.com (General)

Model No.: FYL-3019EGW1A-CC

### ■ Features

- 1.Low power consumption.
- 2.High efficiency.
- 3.General purpose leads.
- 4.High intensity.
- 5.RoHs compliant.

### ■ Package configuration



### Notes:

1. All dimensions are millimeters (inches)
2. Tolerance is  $\pm 0.25\text{mm}$  (.010") unless otherwise noted.
3. The specifications, characteristics and technical data described in the datasheet are subject to change without prior notice.
4. The drawing is different from the actual one, please refer to the sample.

Model No.: FYL-3019EGW1A-CC

■ Absolute Maximun Ratings(Ta=25°C)

Parameter	MAX.		Unit
	E	G	
Power Dissipation	80	75	mW
Peak Forward Current (1/10 Duty Cycle, 0.1ms Pulse Width)	150	100	mA
Continuous Forward Current	30	30	mA
Derating Linear From 50°C	0.4		mA/°C
Reverse Voltage	5		V
Operating Temperature Range	-40°C to +85°C		
Storage Temperature Range	-40°C to +100°C		
Lead Soldering Temperature[4mm(.157") From Body]	260°C for 5 Seconds		

■ Typical Electrical & Optical Charcteristics(Ta=25°C)

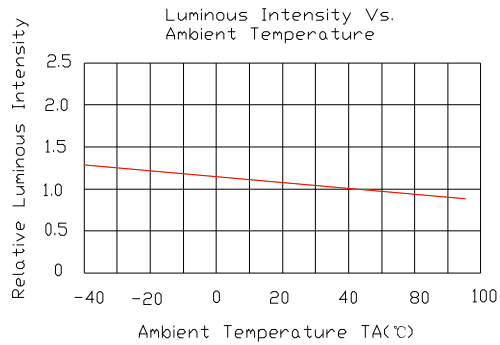
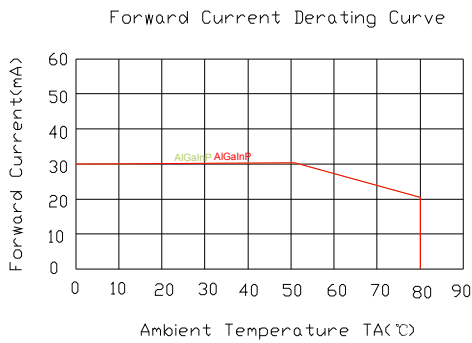
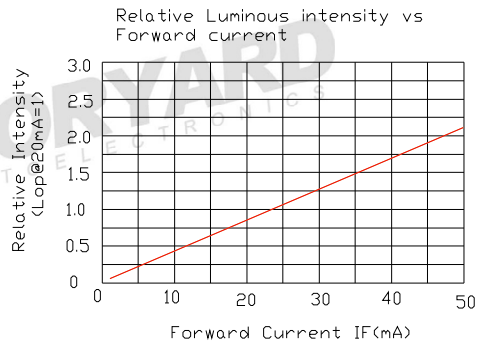
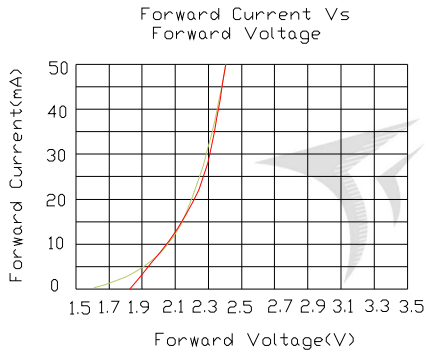
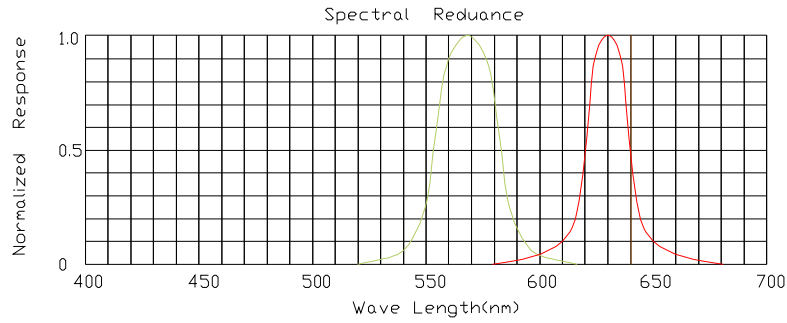
Parameter	Symbol	Colour	Min.	Typ.	Max.	Unit	Test Condition
Luminous Intensity	$I_V$	E	9	20	45	mcd	IF=20mA
		G	20	45	100		
Viewing Angle	$2\theta_{1/2}$	E	---	50	---	Deg	
		G	---	50	--		
Peak Emission Wavelength	$\lambda_p$	E	---	625	--	nm	
		G	---	570	--		
Dominant Wavelength	$\lambda_d$	E	618	622	627	nm	
		G	568	572	574		
Spectral Line Half-Width	$\Delta\lambda$	E	---	35	--	nm	
		G	---	10	--		
Forward Voltage	$V_F$	E	1.8	2.1	2.4	V	
		G	1.8	2.1	2.6		
Reverse Current	$I_R$		---	---	10	$\mu A$	VR=5V

Note:

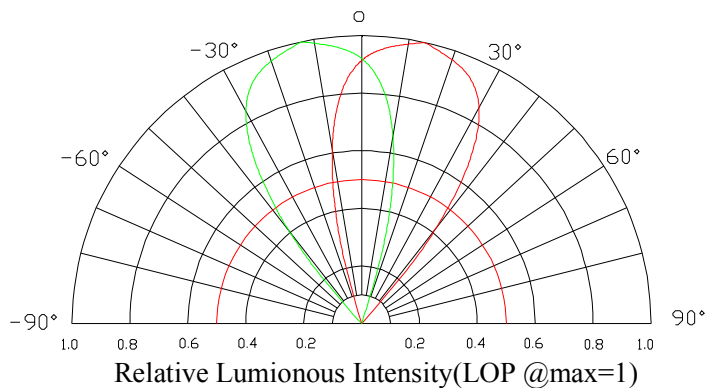
- 1.Luminous Intensity is based on the Foryard standards.
- 2.Pay attention about static for InGaN

Model No.: FYL-3019EGW1A-CC

■ Typical Eletrical/Optical Characteristics Curves(Ta=25°C Unless Otherwise Noted)

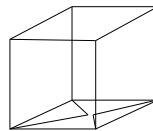
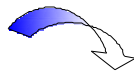
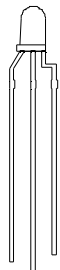


■ Radiation pattern

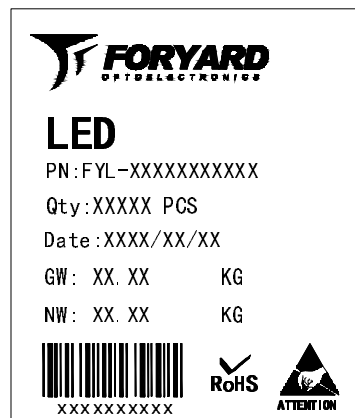
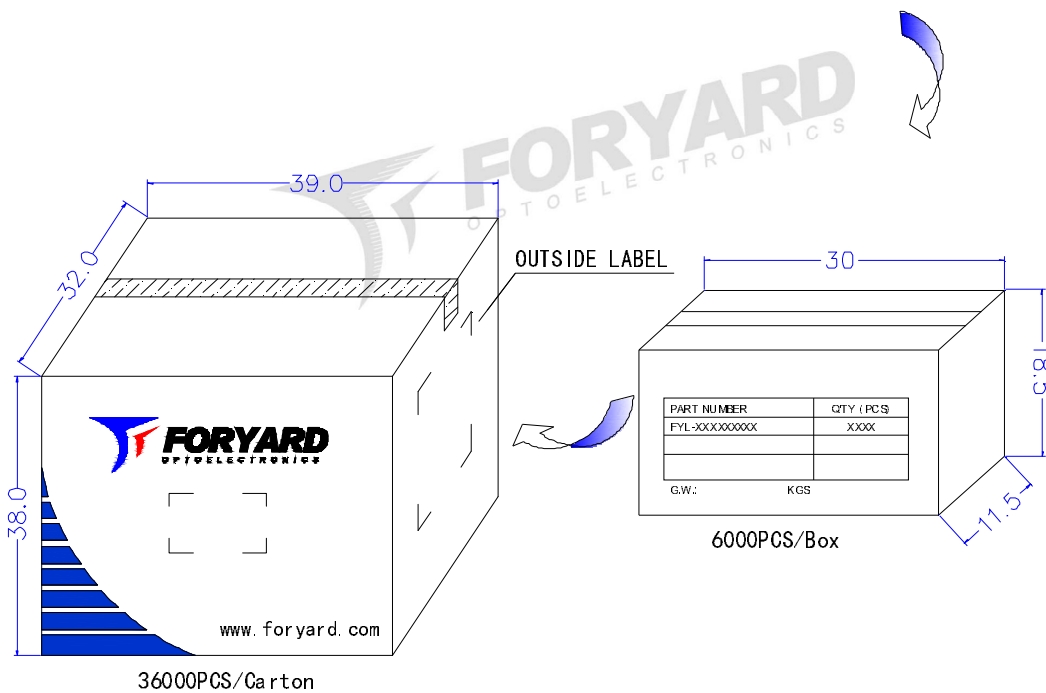


Model No.: FYL-3019EGW1A-CC

■ LAMP PACKING.



3mm 500PCS/Polybag



OUTSIDE LABEL

Note: The specifications are subject to change without notice. Please contact us for updated information.