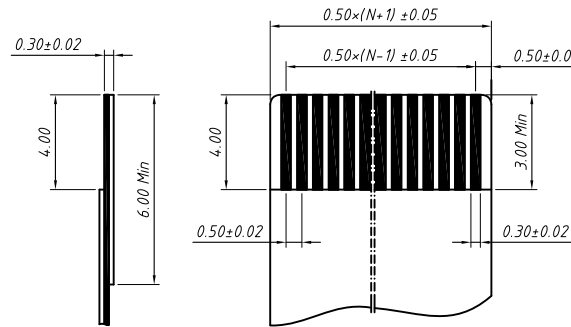
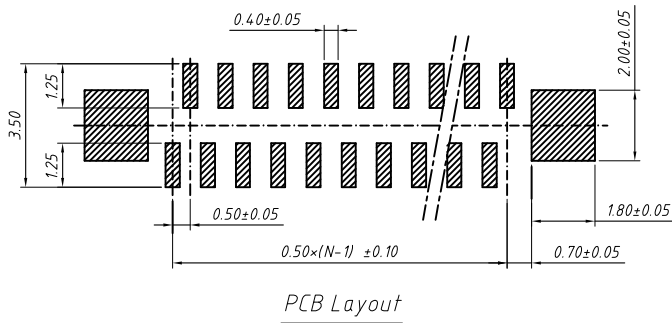


Material
 Housing:LCP UL94V-0
 Terminal:Phosphor Bronze Tin-plated
 Fitting Nial:Phosphor Bronze Tin-plated

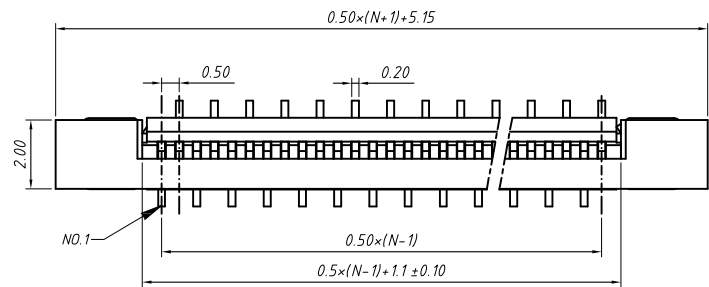
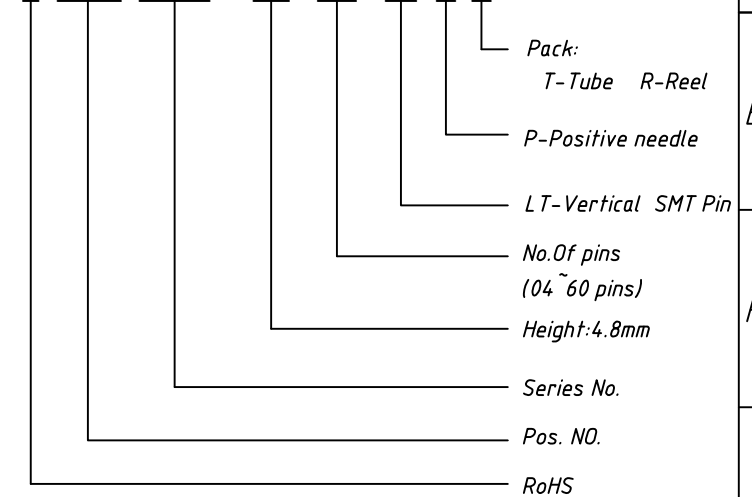
Electrical
 Voltage rating: 50 V
 Current rating: 0.4 A
 Withstanding Voltage: 200 V
 Insulation resistance: 500MΩ.Min.
 Contact resistance: 20 mΩ.Max.

Mechanical
 Temp. Range: -25 °C ~ + 85 °C



Order Information

L-KLS1-1242E - 4.8-XX-LT-P-R



| GENERAL TOLERANCE | ANGLE TOLERANCE | PROJECTION | | Description: |
|-------------------|-----------------|------------|----------|---------------------------------------|
| X. ±0.15 | X. ±5° | UNITS | mm | CONN FFC 0.50mm,SMD,Vertical,with ZIF |
| .X ±0.03 | .X ±3° | SHEET SIZE | A4 | |
| .XX ±0.05 | .XX ±2° | | KLS P/N: | |

| | |
|----------------|------------|
| Draw by: Date | 2018-03-10 |
| Check by: Date | 2018-03-10 |
| SCALE | SHEET OF |

NingBo KLS ELECTRONIC CO.,L TD.

1 2 3 4 5 6 7 8

A

B

C

D

E

F

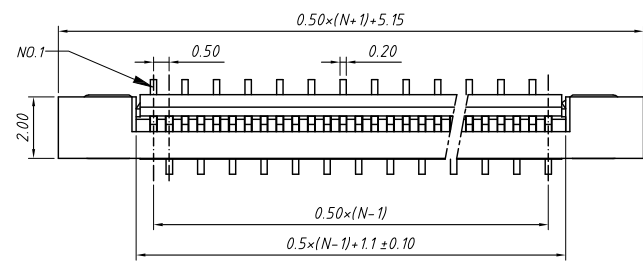
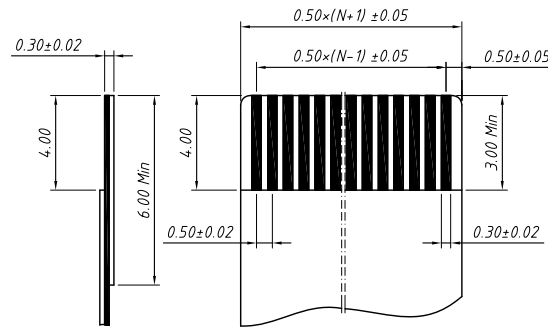
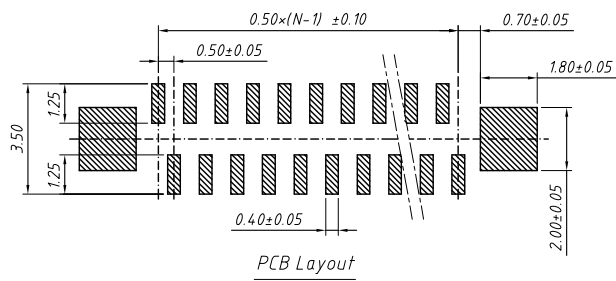
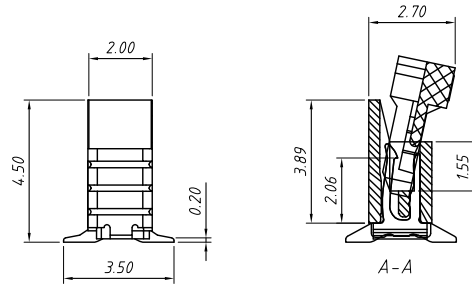
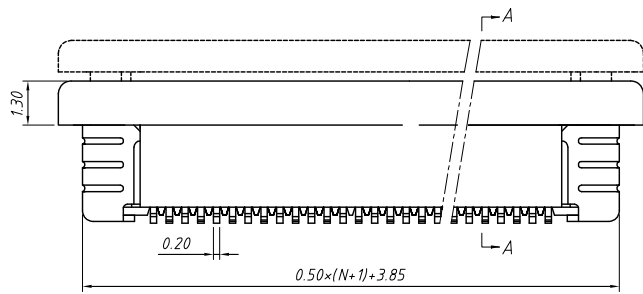
G

H

Material
 Housing: LCP UL 94V-0
 Terminal: Phosphor Bronze Tin-plated
 Fitting Nial: Phosphor Bronze Tin-plated

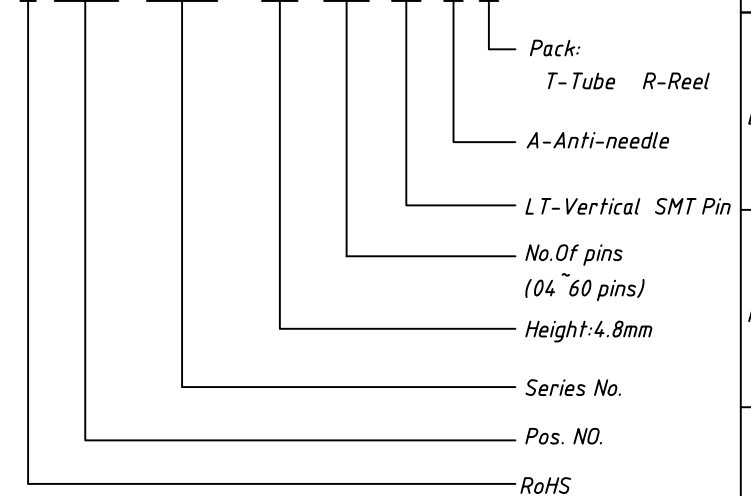
Electrical
 Voltage rating: 50 V
 Current rating: 0.4 A
 Withstanding Voltage: 200 V
 Insulation resistance: 500M Ω .Min.
 Contact resistance: 20 m Ω .Max.

Mechanical
 Temp. Range: -25 °C ~ + 85 °C



Order Information

L-KLS1- 1242E - 4.8- XX -LT-A-R



| GENERAL TOLERANCE | ANGLE TOLERANCE | PROJECTION | Description: |
|-------------------|-----------------|------------|---------------------------------------|
| X. ±0.15 | X. ±5° | UNITS | CONN FFC 0.50mm,SMD,Vertical,with ZIF |
| .X ±0.03 | .X ±3° | SHEET SIZE | |
| .XX ±0.05 | .XX ±2° | KLS P/N: | |

| | |
|----------------|------------|
| Draw by: Date | 2018-03-10 |
| Check by: Date | 2018-03-10 |
| SCALE | SHEET OF |

1 2 3 4 5 6 7 8