

Box Header Series

KLS1-201 Ejector Header 2.54mm(0.100")

Electrical Characteristics:

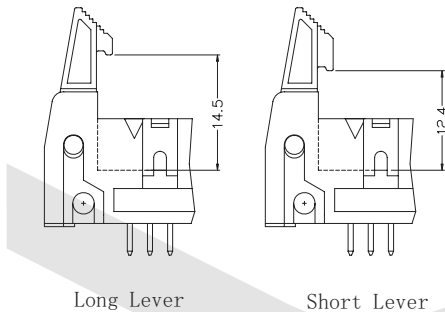
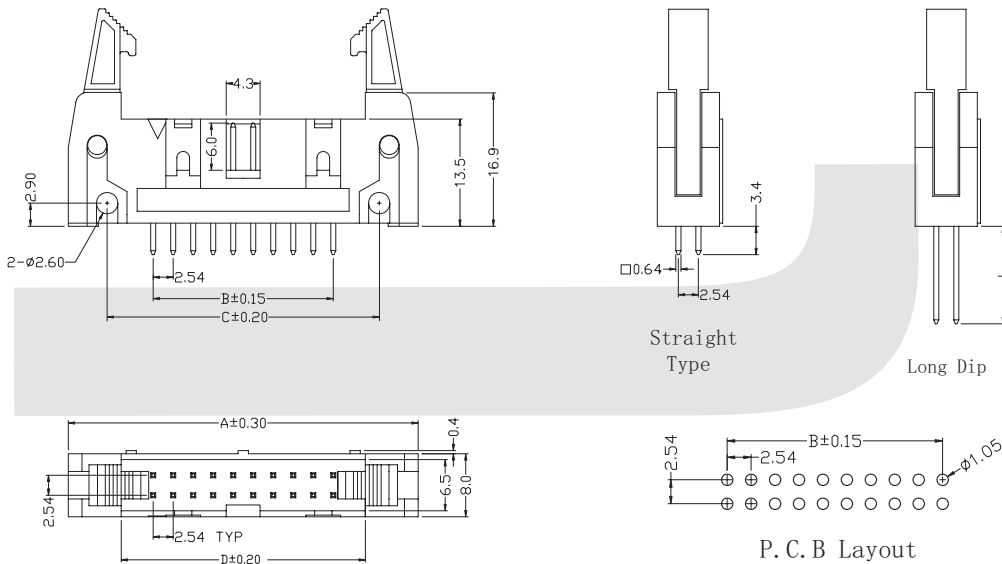
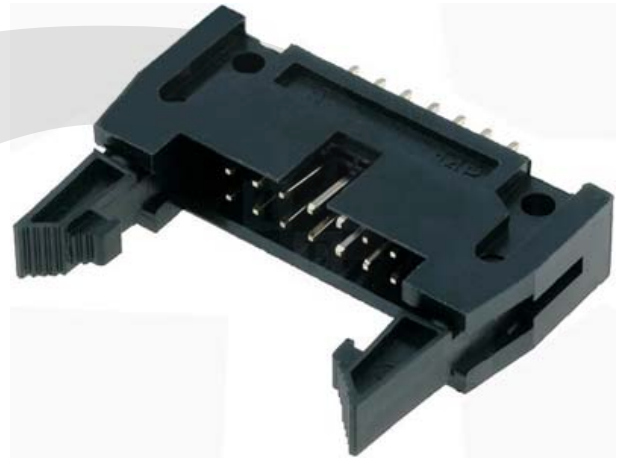
Current Rating: 1 AMP
 Insulator Resistance: 5000MΩmin. at DC 500V
 Contact Resistance: 20mΩmax. at DC 100mA
 Operating Temperature: -45°C~+105°C

Material:

Housing: 30% Glass filled PBT UL94V-0
 Contacts: Brass
 Plating: Gold plated: 2u". over 50u" nickel

Features:

- * Fully shrouded provides ultimate reliability,
- * Black or gray insulator available.
- * Choices of Eject lever.



Dimension

position	A	B	C	D
06	26.52	5.08	16.76	13.22
08	29.06	7.62	19.30	15.76
10	31.60	10.16	21.84	18.30
14	36.68	15.24	26.92	23.38
16	39.22	17.78	29.46	25.92
20	44.30	22.86	34.54	31.00
26	51.92	30.48	42.16	38.62
30	57.00	35.56	47.24	43.70
34	62.08	40.64	52.32	48.78
40	69.70	48.26	59.94	56.40
50	82.40	60.96	72.64	69.10
60	95.10	73.66	85.34	81.80
64	100.18	78.74	90.42	86.88

ORDER INFORMATION

Product No.: KLS1-201-XX-S-B

Pos. No. _____ Insulator Color: B=Black G=Gray
 Ejector Header 2.54mm Series _____ Tail Style: S=Straight Pin R=Right Pin
 Number of Contacts: XX=06-64Pin _____

Connector

Box Header Series

KLS1-201 Ejector Header 2.54mm(0.100")

Electrical Characteristics:

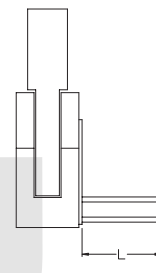
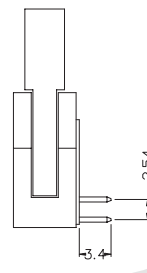
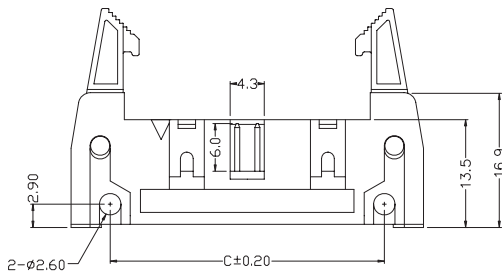
Current Rating: 1 AMP
Insulator Resistance: 5000MΩmin. at DC 500V
Contact Resistance: 20mΩmax. at DC 100mA
Operating Temperature: -45°C~+105°C

Material:

Housing: 30% Glass filled PBT UL94V-0
Contacts: Brass
Plating: Gold plated: 2u". over 50u" nickel

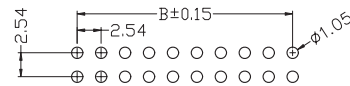
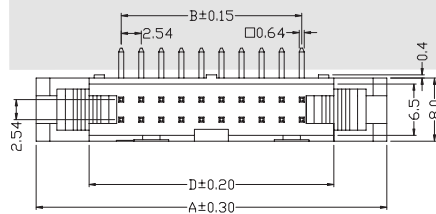
Features:

- * Fully shrouded provides ultimate reliability,
- * Black or gray insulator available.
- * Choices of Eject lever.

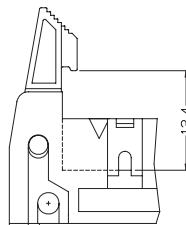
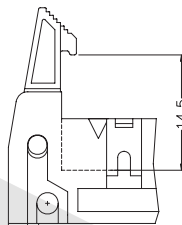


Right Angle Type

Long Dip



P. C. B Layout



Long Lever

Short Lever

Dimension

position	A	B	C	D
06	26.52	5.08	16.76	13.22
08	29.06	7.62	19.30	15.76
10	31.60	10.16	21.84	18.30
14	36.68	15.24	26.92	23.38
16	39.22	17.78	29.46	25.92
20	44.30	22.86	34.54	31.00
26	51.92	30.48	42.16	38.62
30	57.00	35.56	47.24	43.70
34	62.08	40.64	52.32	48.78
40	69.70	48.26	59.94	56.40
50	82.40	60.96	72.64	69.10
60	95.10	73.66	85.34	81.80
64	100.18	78.74	90.42	86.88

ORDER INFORMATION

ProductNo.: KLS1-201-XX-R-B

Pos. No. _____ Insulator Color: B=Black G=Gray
Ejector Header 2.54mm Series _____ Tail Style: S=Straight Pin R=Right Pin
Number of Contacts: XX=06-64Pin _____

All specification & dimensions are subject to change, please call your nearest KLS sales representative for update information