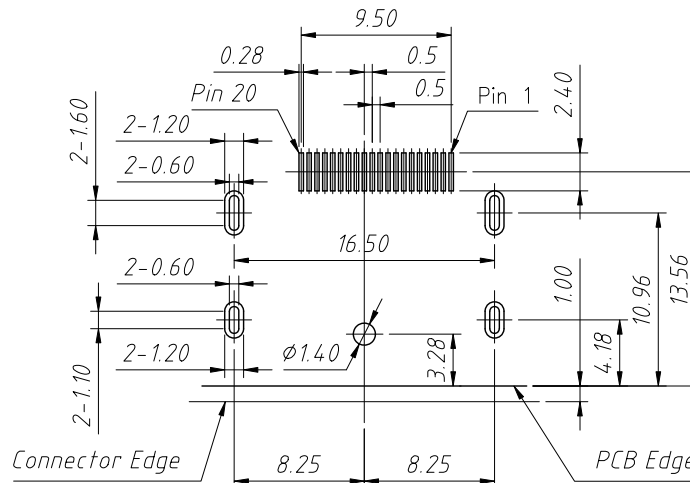
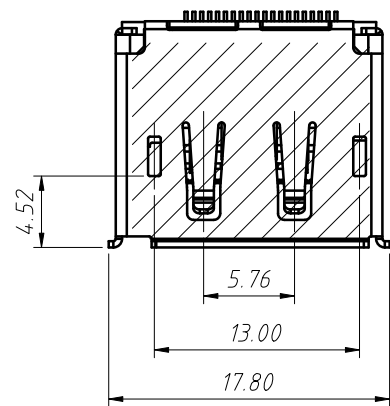
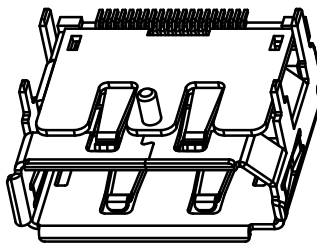
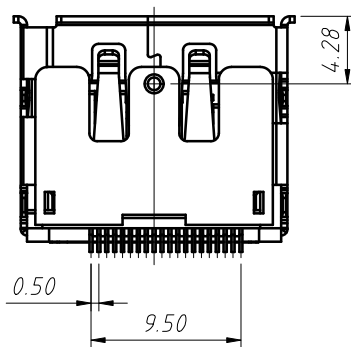
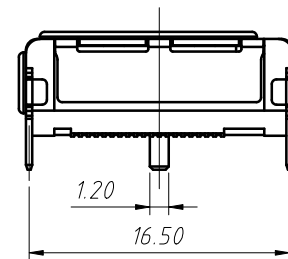
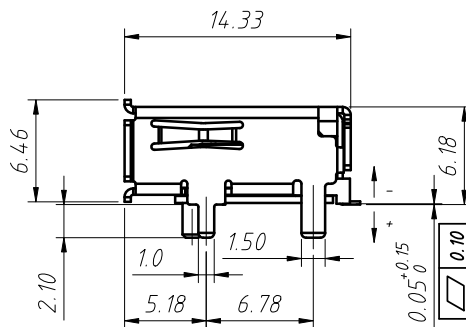
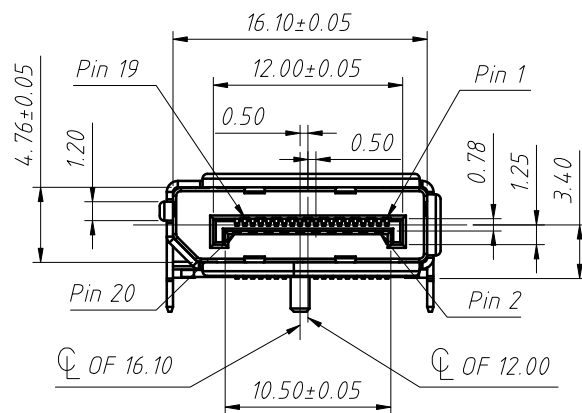


RoHS Compliance



RECOMMENDED PCB LAYOUT
(THICKNESS=1.6±0.15mm)



Material:

1. Housing:LCP(HF),UL94V-0,Black
2. Cover:LCP(HF),UL94V-0,Black
3. Contact:Copper Alloy T=0.20
4. Shell:Copper Alloy T=0.40

Plating:

1. Contact: Contact Area Gold Plated
Solder Area Sn Plated
Under Plated Nickel
2. Shell: Nickel Plated

Specification:

1. Current:0.5A
2. Voltage:40V RMS
3. Withstanding Voltage: 500V AC
4. Contact Resistance:30mΩ max. (Contact)
50mΩ max. (Shell)
5. Insulation Resistance:100 MΩ min.
6. Temperature Range:-20°C to +85°C
7. Mating And Unmating Force:
 - 7.1 Mating Force:4.5Kgf(44.1N)Max.
 - 7.2 Unmating Force:1.0Kgf~4.0Kgf(9.8N~39.2N)
8. Durability:10000 Cycles

ANGLE TOLERANCE	PROJECTION	Description:
±3°		USB Connectors with post Display Port SMT
GENERAL TOLERANCE	UNITS	mm
x.x ±0.30	SHEET SIZE	A4
x.xx ±0.20	Draw:	Daniel 2022-07-05
x.xxx ±0.10	Check:	Daniel 2022-07-05



KLS ELECTRONIC CO.,LTD.