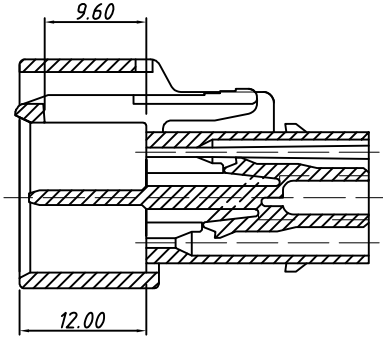
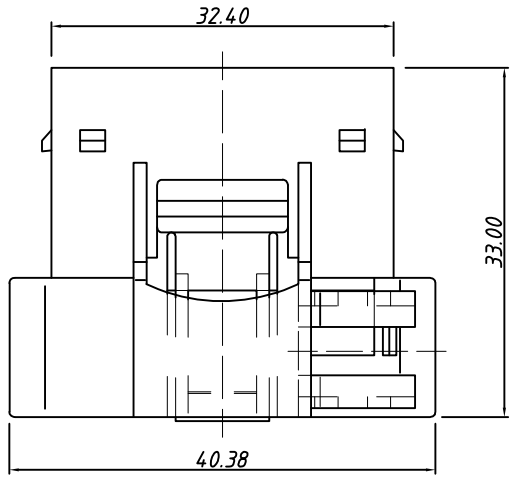
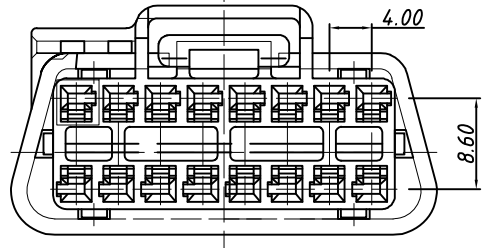
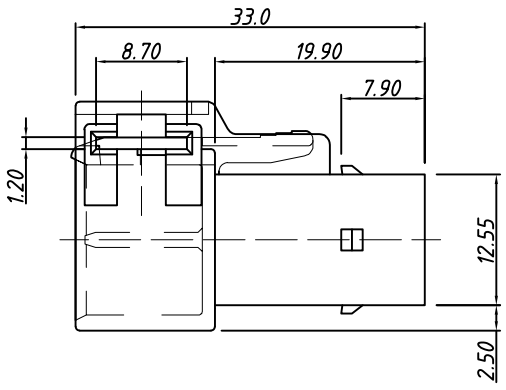
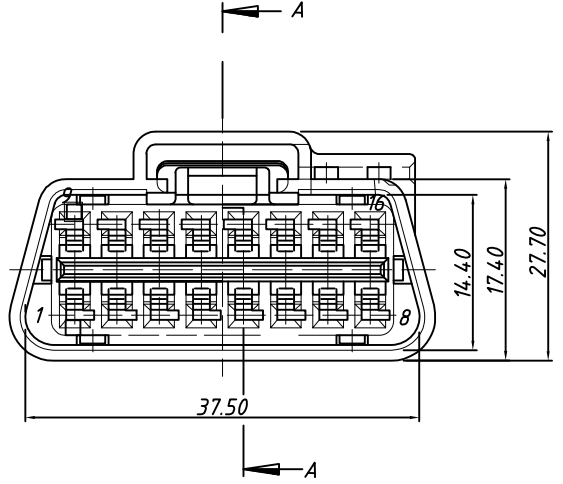
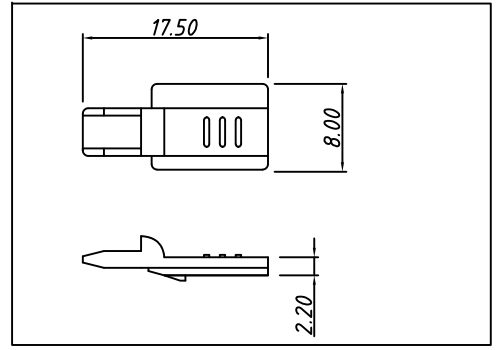
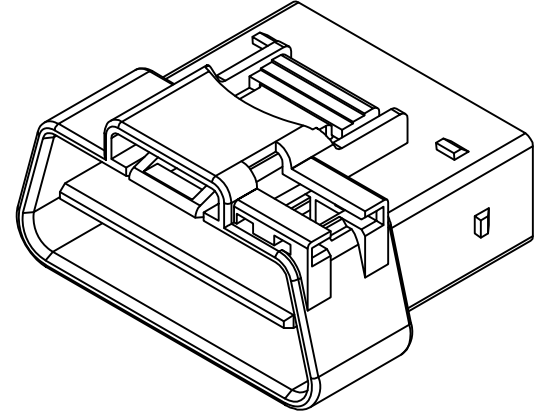


1
RoHS Compliance



Section A-A



Note:
Material: Polyester,Black
Pitch: 4.00mm
Circuits (maximum): 16

GENERAL TOLERANCE	PROJECTION		Description:
X. ±0.50	UNITS	mm	OBD II 16P Male Housing
.X ±0.40	SCALE	3:1	
.XX ±0.30	Draw:	Daniel	KLS P/N: L-KLS1-OBDDII-16M004
ANGLE TOLERANCE	Check :	Daniel	
±3°	Date	2022-08-01	
	SHEET	1 OF 1	

KLS
NingBo KLS ELECTRONIC CO.,L TD.