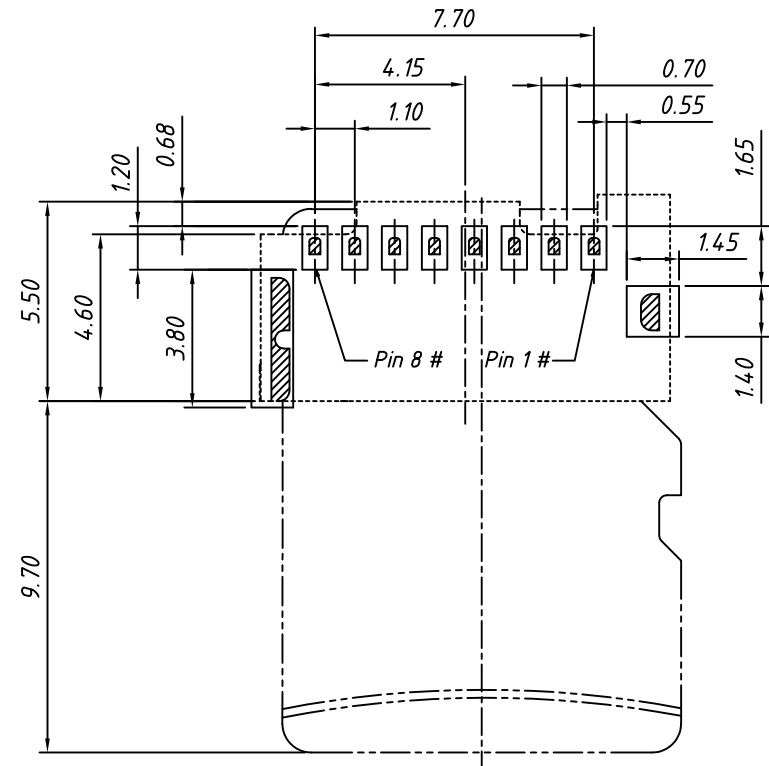
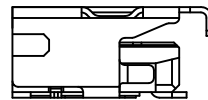
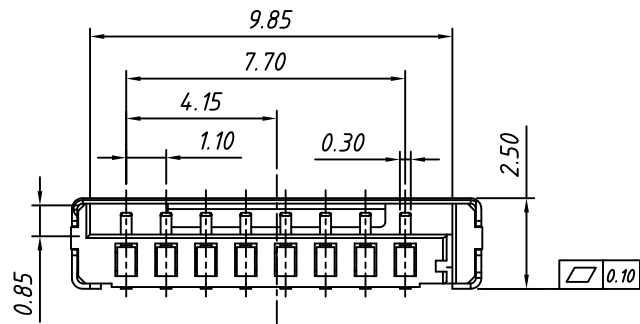


Pin	Pin assignment
Pin 1	DAT2
Pin 2	CD/DAT3
Pin 3	CMD
Pin 4	VDD
Pin 5	CLK
Pin 6	VSS
Pin 7	DAT0
Pin 8	DAT1



Material:

Housing: Hi-Temp plastic, UL94V-0. Black

Contact: Phosphor Bronze

Shell: Stainless Steel.

Finish:

Contact: G/F Gold plated on contact area;

G/F plated on solder tails, Base Nickel 50u" Min

Shell: 50u" Nickel Under, 100u" Tin Overall.

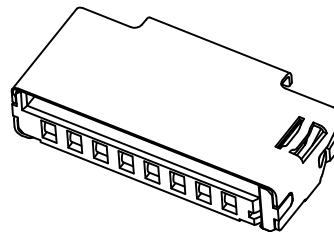
Contact resistance: 80mΩ Max.

Insulation resistance: 1000MΩ Min./500VDC

Withstanding voltage: 500V AC minute

Temperature range: -40°C ~ +85°C

Mating Cycles: 3000 insertions



RECOMMENDED PCB LAYOUT

GENERAL TOLERANCE ±0.05

TOLERANCE	PROJECTION		SD Card CONN,PUSH/PULL, H2.50mm,SMD	
X. ±0.50	UNITS	mm		
.X ±0.30	SHEET SIZE	A4		
.XX ±0.20	Draw :	Daniel	KLS P/N:	L-KLS1-TF-020N
	Check :	Daniel		NingBo KLS ELECTRONIC CO.,L TD.
	Date:	2021-07-06		