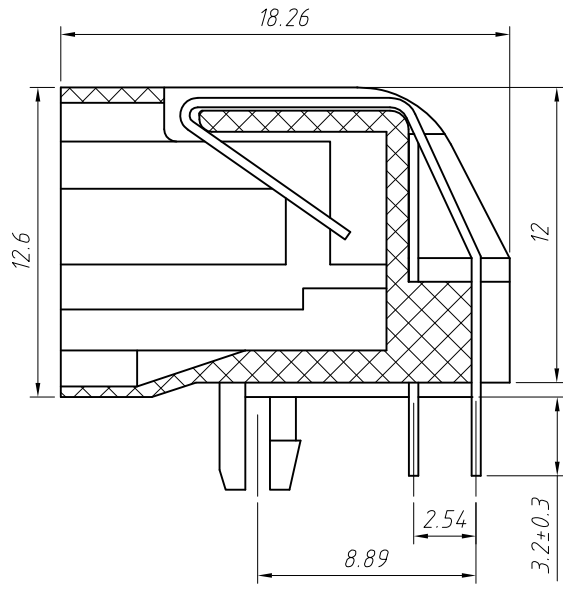
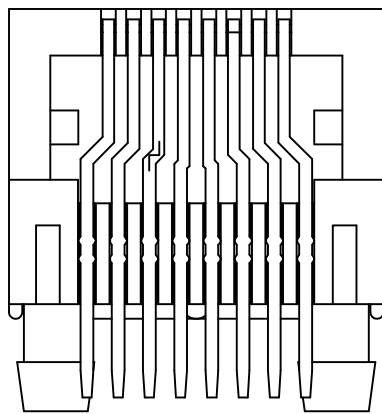
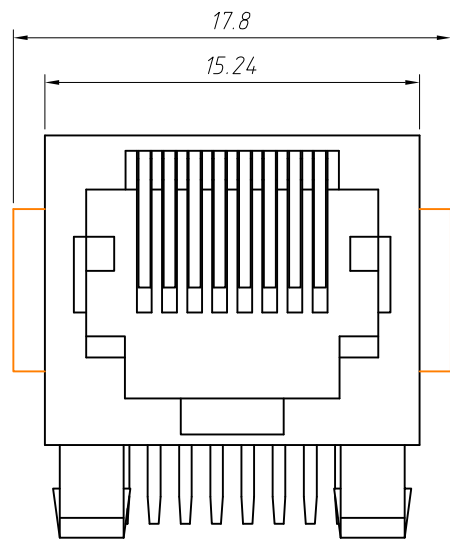


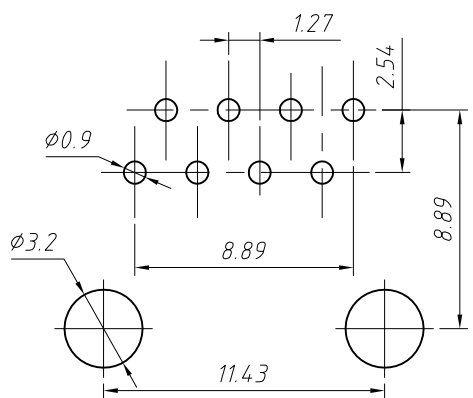
With Panel



SECTION A-A



Without Panel

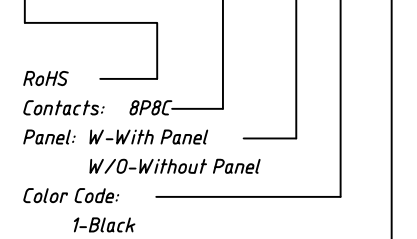


PCB Layout

Material:  
Housing: PBT+Glass Filled Polyester  
Flammability Rating : UL 94V-0  
Contacts: Phosphor Bronze  
Plating: Gold Plating

Electrical:  
Voltage Rating: 125VAC  
Current Rating: 1.5A  
Contact Resistance: 30mΩ Max.  
Insulation Resistance: 500MΩ Min.  
Dielectric Strength: 1000VAC Rms 50Hz, 1 Min.  
Durability: 600 cycles Min.  
Operation Temperature: -40°C ~ +70°C

Order Information  
L-KLS12-148-8P8C - W - 1 - XX



Plating Code:  
01-Fu" Gold Plating  
02-3u" Gold Plating  
03-6u" Gold Plating  
04-15u" Gold Plating  
05-30u" Gold Plating

GENERAL TOLERANCE	PROJECTION		Description:
X. ±0.30	UNITS	mm	RJ45-8P8C Modular jacks
.X ±0.25	SCALE	1:1	
.XX ±0.20	Draw by:	Jenny	
ANGLE TOLERANCE	Check by:	Daniel	KLS P/N: L-KLS12-148-8P8C-X-X-XX
X. ±3°	Date	2018-03-01	NingBo KLS ELECTRONIC CO.,LTD.
.X ±2°	SHEET	1 OF 1	
.XX ±1°			