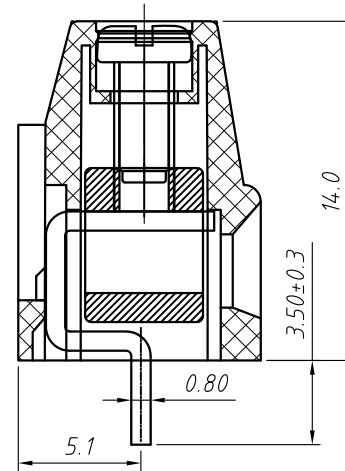
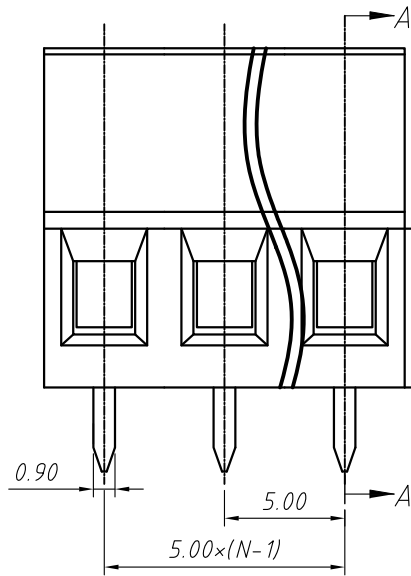


PCB LAYOUT



SECTION: A-A

Material
Housing: PA66, UL94V-0
Pin header: Brass, Tin plated
Clamp: Brass, Ni plated
Screw: M2.5, steel Zinc plated


Electrical
Rated voltage: 300V
Rated current: 15A
Contact Resistance: 20 mΩ
Insulation resistance: 500MΩ/DC500V
Withstand voltage: AC2000V / 1 min
Wire Range: 30~14AWG 2.5mm²

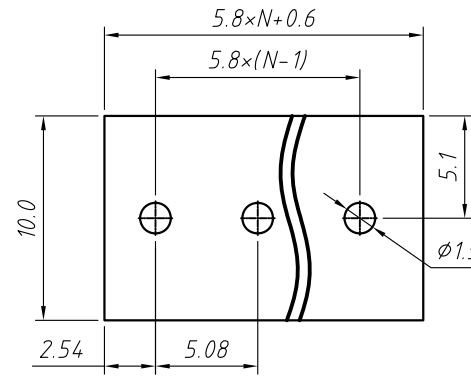
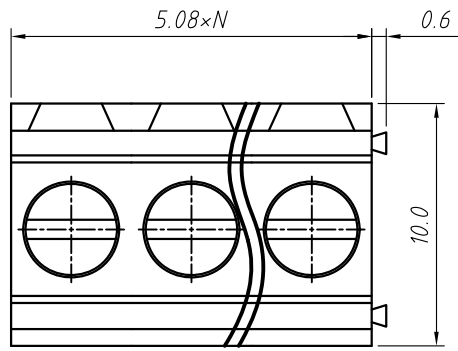
Mechanical
Temp. Range: -40 °C ~ +105 °C
Strip length: 6~7mm
Torque: 0.4Nm (3.5Lb.in)

Order Information

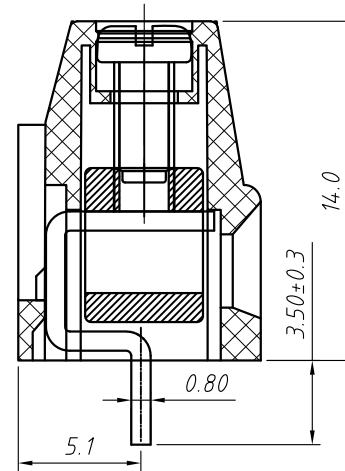
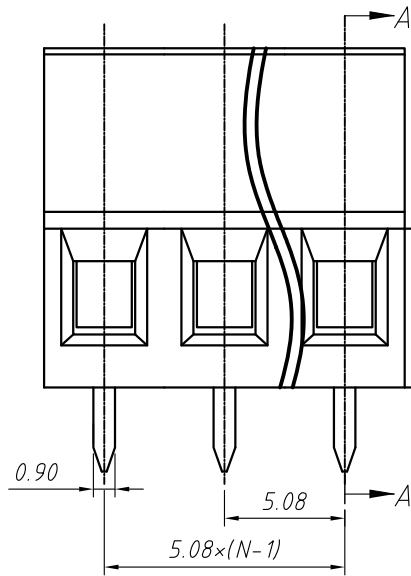
L-KLS2-1281-5.00-XXP-4 S 00

RoHS
Terminal Block
Pitch
No.: of Pole
Color: 4- Green
Screw: S-Slot Screw
Product Code: 00~99

GENERAL TOLERANCE	ANGLE TOLERANCE	Description:		
X. ±0.60	X. ±5°	Screw CONN TERM Block 5.00mm		
.X ±0.38	.X ±3°	KLS P/N:	KLS2-1281-5.00-XXP-4S	
.XX ±0.25	.XX ±2°			
Draw by 2015-09-01	PROJECTION		NingBo KLS ELECTRONIC CO.,L TD.	
Check by 2015-09-15	UNITS			mm
SCALE	SHEET SIZE			A4



PCB LAYOUT



SECTION: A-A

Material
Housing: PA66, UL94V-0
Pin header: Brass, Tin plated
Clamp: Brass, Ni plated
Screw: M2.5, steel Zinc plated


Electrical
Rated voltage: 300V
Rated current: 15A
Contact Resistance: 20 mΩ
Insulation resistance: 500MΩ/DC500V
Withstand voltage: AC2000V / 1 min
Wire Range: 30~14AWG 2.5mm²

Mechanical
Temp. Range: -40 °C ~ +105 °C
Strip length: 6~7mm
Torque: 0.4Nm (3.5Lb.in)

Order Information

L-KLS2-1281-5.08-XXP-4 S 00

RoHS
Terminal Block
Pitch
No.: of Pole
Color: 4- Green
Screw: S-Slot Screw
Product Code: 00~99

GENERAL TOLERANCE	ANGLE TOLERANCE	Description:
X. ±0.60	X. ±5°	Screw CONN TERM Block 5.08mm
.X ±0.38	.X ±3°	
.XX ±0.25	.XX ±2°	
Draw by 2015-09-01	PROJECTION	KLS P/N: KLS2-1281-5.08-XXP-4S
Check by 2015-09-15	UNITS	 NingBo KLS ELECTRONIC CO.,L TD.
SCALE	SHEET SIZE	