

## Tactile Switches

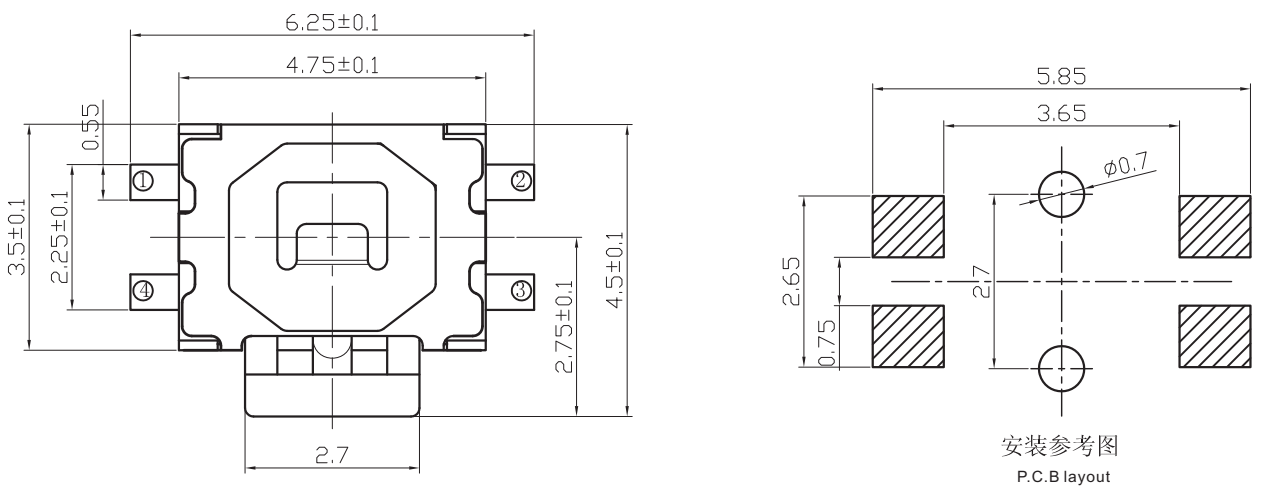
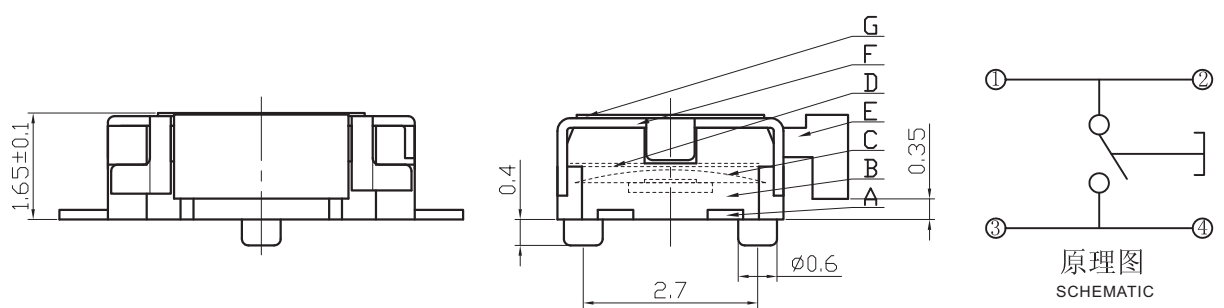
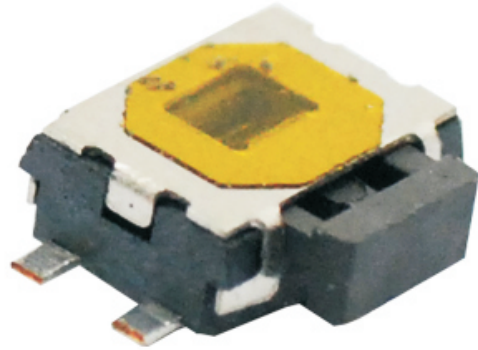
### KLS7-TS6335 In the turtle side by touch switch

#### Electrical:

1. Rating: 50mA 12V DC
2. Contact Resistance: 100mΩ Max.
3. Insulation Resistance: 100MΩ Min, 100V DC
4. Dielectric voltage proof: 250V AC for 1min
5. Electrically Life: 100000 cycles Min.
6. Operating Force: 250±50gf
7. Environment temperature: -30°C~+70°C

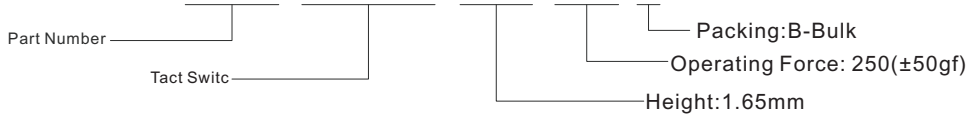
#### Materials:

- A. Cards: Brass, 0.12Y
- B. Pedestal: LCP, Black
- C. Shrapnel: Silver coated stainless steel
- D. Dust Film: 0.05
- E. Push button: PA46, Grey
- F. Cover: Stainless steel 0.05
- G. Outside the dust: 0.05



## ORDER INFORMATION

Product NO.: KLS7-TS6335-1.65-250-B



All specification & dimensions are subject to change, please call your nearest KLS sales representative for update information