

Single high-speed RS485 isolated transceiver module, ultra small package



RoHS

EN62368-1

FEATURES

- Ultra small package: 12.70 x 10.16 x 7.70 (mm)
- Integrated high efficient isolated DC-DC converter
- Automatic send and receive data function
- Two-port isolation test voltage (2.5kVDC)
- High baud rate of up to 500kbps
- Operating ambient temperature range: -40°C to +85°C
- The bus supports maximum 64 nodes
- Set isolation and ESD bus protection in one

The main function of the TD501M485/TD301M485 series is to convert a logic level signal into isolated RS485 differential level signals. The special integrated IC technology of the RS485 transceiver achieves isolation between the power supply and the signal lines isolation, does RS485 communication and protects the bus all in one and the same module. The product's isolated power supply withstands a test voltage of up to 2500VDC. In addition, the product features an automatic switching function, that no longer requires the need to pass through the node to send and receive control signals, which to a certain extent, reduces the design complexity. Also, they can easily be embedded in the user's end equipment, to achieve fully functional RS485 network connections.

Selection Guide

Certification	Part No.	Power Input (VDC)	Baud Rate (kbps)	Static Current (mA)(typ.)	Max. Operating Current (mA)(typ.)	Isolated Power Output (VDC)(typ.)	Number of Nodes
EN	TD301M485	3.15-3.45	500	22	90	5	64
	TD501M485	4.75-5.25	500	18	70	5	64

Absolute Limits

Item	Operating Conditions	Min.	Typ.	Max.	Unit
Input Surge Voltage (1sec.max.)	3.3V series	-0.7	--	5	VDC
	5.0V series	-0.7	--	7	
Pin Soldering Temperature	Soldering time 10s max.	--	--	300	°C

3.3V Input Specifications

Item	Symbol	Min.	Typ.	Max.	Unit
Power Supply Input Voltage	V _{CC}	3.15	3.3	3.45	VDC
TXD Logic Level	High-level	0.7V _{CC}	3.3	3.6	
	Low-level	0	--	0.8	
RXD Logic Level	High-level	V _{CC} -0.4	V _{CC} -0.2	--	
	Low-level	0	0.2	0.4	
TXD Drive Current	I _T	2	--	-	mA
RXD Output Current	I _R	--	--	10	
Serial Interface	Compatible with + 3.3 V UART interface only				

5.0V Input Specifications

Item	Symbol	Min.	Typ.	Max.	Unit
Power Supply Input Voltage	V _{CC}	4.75	5	5.25	VDC
TXD Logic Level	High-level	0.7V _{CC}	5	5.5	
	Low-level	0	--	0.8	
RXD Logic Level	High-level	V _{CC} -0.4	V _{CC} -0.2	--	
	Low-level	0	0.2	0.4	
TXD Drive Current	I _T	2	--	--	mA
RXD Output Current	I _R	--	--	10	
Serial Interface	Compatible with + 5 V UART interface only				

Transmission Specifications

Item	Symbol	Min.	Typ.	Max.	Unit	
Data Delay	TXD Transmitter Delay	tr	--	180	--	ns
	RXD Receiver Delay	tr	--	120	--	

Output Specifications

Item	Symbol	Min.	Typ.	Max.	Unit
Difference Level	$V_{diff(c)}$, No load	3	--	--	VDC
Difference Input Impedance	$-7V \leq V_{CM} \leq +12V$	96	--	--	k Ω
Built-in Pull-down Resistor		--	24	--	
Isolation Power Output Voltage*	Nominal input voltage	4.9	5	5.5	VDC
Bus Interface Protection		ESD protection			

Note: *Isolated output power pins are for external pull-up, pull-down resistors only (recommended maximum current <25mA) and are not meant for any other purpose.

Truth Table Specifications

Transceiver Control	Input		Output		
	CON	TXD	A	B	RXD
Send Status	--	1	1	0	1
	--	0	0	1	1
Receive Status ^①	CON	$V_A - V_B$	RXD		
	--	$\geq -10mV$	1		
	--	$\leq -200mV$	0		
	--	$-200mV < V_A - V_B < -10mV$	Undefined state		

Note: The receive threshold varies slightly with V_{cc} .

General Specifications

Item	Operating Conditions	Value
Isolation Test	Electric Strength Test for 1 minute, leakage current <1mA	2500VDC
Insulation Resistance	At 500VDC	1000M Ω (Input-output)
Operating Temperature		-40°C to +85°C
Transportation and Storage Temperature		-50°C to +105°C
Operating Humidity	Non-condensing	10% - 90%
Safety Standard		EN62368-1 (Report)
Safety Class		CLASS III

Mechanical Specifications

Dimensions	DIP8
Weight	2.0g(Typ.)
Cooling Method	Free air convection

Electromagnetic Compatibility (EMC)

Emissions	CE	CISPR32/EN55032	CLASS A (see Fig. 3)
Immunity	ESD	IEC/EN 61000-4-2	Contact $\pm 4kV$ (A, B port) Perf. Criteria B
		IEC/EN 61000-4-2	Contact $\pm 8kV$ (see Fig.2, A, B port) Perf. Criteria B
	EFT	IEC/EN 61000-4-4	$\pm 2kV$ (see Fig.2, A, B port) Perf. Criteria B
	Surge	IEC/EN 61000-4-5	$\pm 2kV$ (Line to ground) (without external components, A, B port) Perf. Criteria B
		IEC/EN 61000-4-5	$\pm 4kV$ (see Fig.2, A, B port) Perf. Criteria B
	CS	IEC/EN 61000-4-6	3Vr.m.s Perf. Criteria A

Application Precautions

1. Carefully read and follow the instructions before use; contact our technical support if you have any question;
2. Do not use the product in hazardous areas;
3. Use only DC power supply source for this product. AC power supply is prohibited;
4. It is strictly forbidden to disassemble the product privately in order to avoid product failure or malfunction;
5. If the external input of TXD is insufficient, the pull-up resistor should be added according to the situation;
6. Hot swapping is not supported.

After-sales service

1. Factory inspection and quality control are strictly enforced before shipping any product; please contact your local representative or our technical support if you experience any abnormal operation or possible failure of the module;
2. The products have a 3-year warranty period, from the date of shipment. The product will be repaired or exchanged free of charge within the warranty period for any quality problem that occurs under normal use.

Applied circuit

Refer to the RS485 Isolated Industrial Bus Interface Module Application Manual.

Design Reference

1. Typical application circuit

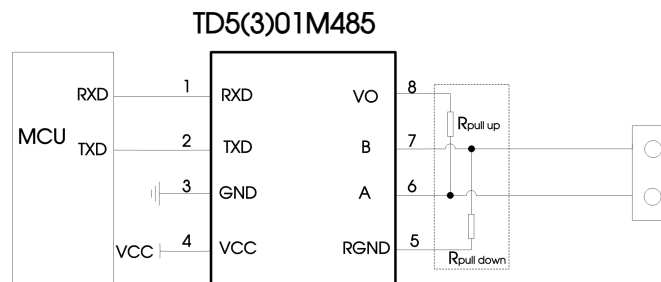


Fig. 1: Typical application

Figure 1 shows a typical connection circuit for the isolated transceiver module TD301M485 and TD501M485. The TD501M485 module's power supply must be 5V and match the module's TXD and RXD pin interface level of 5V (not supporting any 3.3V system levels). Accordingly, TD301M485 module's power supply must be 3.3V and match the module's TXD and RXD pin interface level of 3.3V (not supporting any 5V system levels).

The module has a built-in 24kΩ pull-down resistor, which under normal circumstances meets the demand for the use of internal pull-up and pull-down resistors. Depending on the actual circuit, the use of additional external R pull-up and R pull-down resistor may be chosen.

2. Recommended port protection circuit

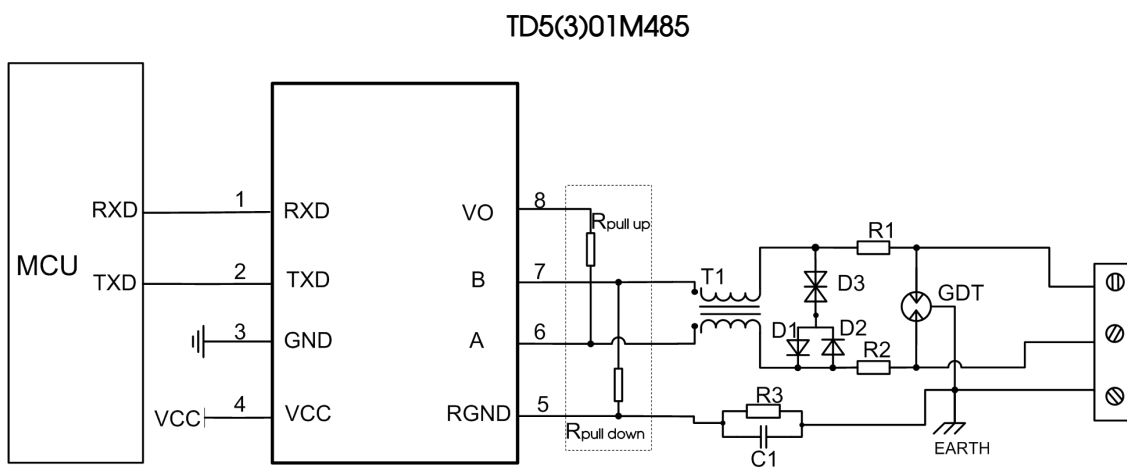
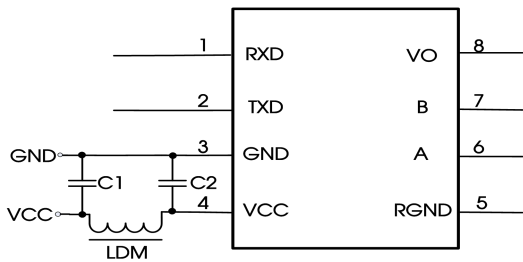


Fig. 2: Port protection circuit for harsh environments

Note: Ground shield of twisted wire pair reliably.

Recommended components and values:

Component	Recommended part, value	Component	Recommended part, value
R3	1MΩ	R1、R2	2.7Ω/2W
C1	1nF, 2kV	D1、D2	1N4007
T1	ACM2520-301-2P	D3	SMBJ8.5CA
GDT	B3D090L		



Component	Recommended part, value
C1, C2	1uF/16V
LDM	CD43-12uH

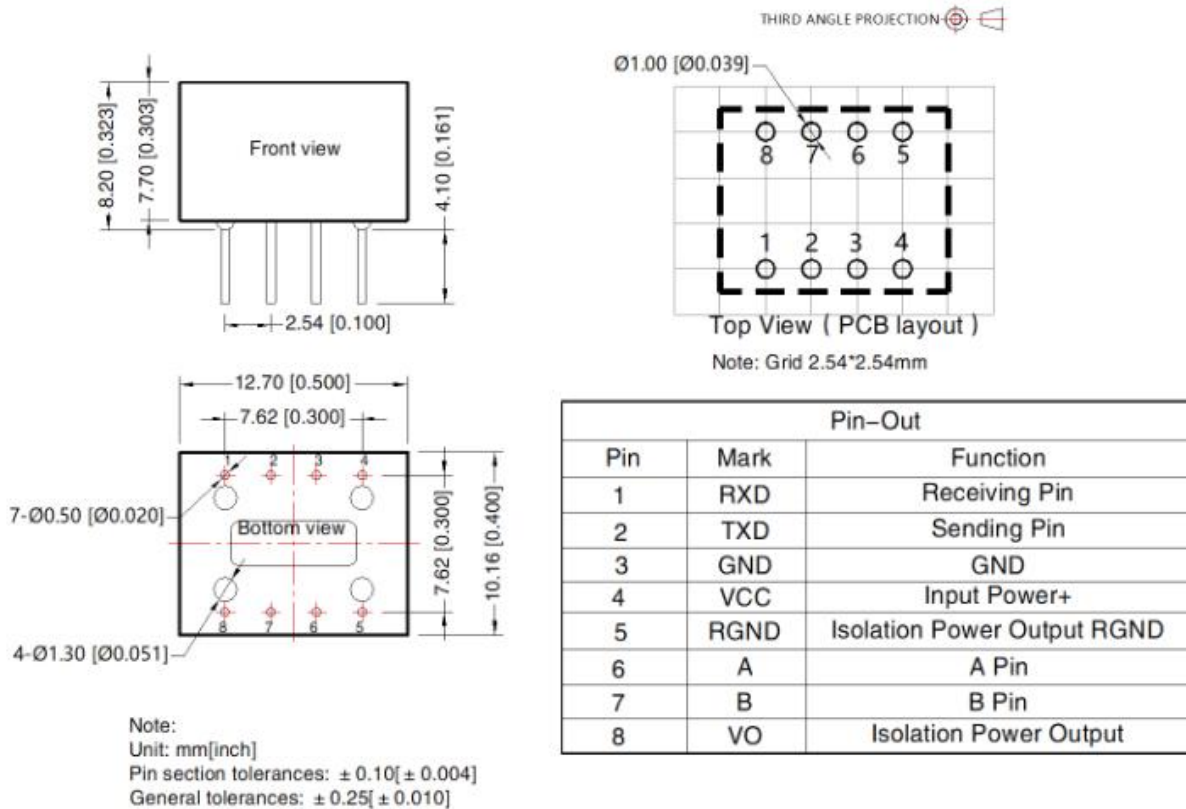
Fig. 3

3. Precautions

- 1) TD501M485 is for 5V TTL level only (not compatible with 3.3V TTL level); TD301M485 is for 3.3V TTL level only (not compatible with 5V).
- 2) We recommend using a shielded twisted pair of wires for the Data transmission line and using same single point earth connection for each of the networks.
- 3) Reference the truth table characteristics: When the A / B line differential voltage of the series of embedded isolated RS-485 transceiver module is $\geq -10\text{mV}$, the modules receiving level is high and when the A / B line differential voltage is $\leq -200\text{mV}$ the modules receiving level is low; the modules receiving level is undefined when the A / B line differential voltage is greater than -200mV but less than -10mV , so the design is to ensure that the module will not be receiving this state. Depending on the actual situation, it is up to the user of the RS-485 network design or application to decide whether to add a termination resistor. Avoiding data communication errors: Regardless if the RS-485 network is static or dynamic, it is essential to avoid that the differential voltage of A / B line ever comes between -200mV and -10mV .

4. For additional information, please refer to our application note on www.mornsun-power.com

Dimensions and Recommended Layout



Notes:

1. For additional information on Product Packaging please refer to www.mornsun-power.com. The Packaging bag number: 58200011
2. Unless otherwise specified, parameters in this datasheet were measured under the conditions of Ta=25°C, humidity<75%RH with nominal input voltage and rated output load;
3. All index testing methods in this datasheet are based on our company corporate standards;
4. The above are the performance indicators of the product models listed in this datasheet. Some indicators of non-standard models will exceed the above requirements. For details, please contact our technical staff;
5. We can provide product customization service, please contact our technicians directly for specific information;
6. Products are related to laws and regulations: see "Features" and "EMC";
7. Our products shall be classified according to ISO14001 and related environmental laws and regulations, and shall be handled by qualified units.

Mornsun Guangzhou Science & Technology Co., Ltd.

Address: No. 5, Kehui St. 1, Kehui Development Center, Science Ave., Guangzhou Science City, Huangpu District, Guangzhou, P. R. China
Tel: 86-20-38601850 Fax: 86-20-38601272 E-mail: info@mornsun.cn www.mornsun-power.com