

Pin	Signal Name	Mating Sequence	Pin	Signal Name	Mating Sequence
A1	GND	First	B12	GND	First
A2	SSTxp1	Second	B11	SSRxp1	Second
A3	SSTxn1	Second	B10	SSRxn1	Second
A4	Vas	First	B9	Vas	First
A5	CC1	Second	B8	SBU2	Second
A6	Dp1	Second	B7	Dn2	Second
A7	Dn1	Second	B6	Dp2	Second
A8	SBU1	Second	B5	CC2	Second
A9	Vas	First	B4	Vas	First
A10	SSRxu2	Second	B3	SSTXu2	Second
A11	SSRxp2	Second	B2	SSTXp2	Second
A12	GND	First	B1	GND	First
SHELL	GND	SHELL	GND	GND	



- NOTES:
1. MATERIAL: SEE "TABLE 1";  
2. FINISH: SEE "TABLE 1";
  3. ELECTRICAL :  
3-1. CONTACT CURRENT RATING :  
5A(BUS PIN 1.5A/PIN),  
5A(GND PIN 1.25A/PIN MAX),0.25A/PIN(OTHER PIN).  
3-2. INSULATION RESISTANCE :  
100 MEGAOHMS MIN. AT 250VDC.  
3-3. DIELECTRIC WITHSTANDING VOLTAGE :  
100VAC MIN.  
3-4. LOW LEVEL CONTACT RESISTANCE :  
INITIAL 40mΩ MAX.  
AFTER 50mΩ MAX.
  4. MECHANICAL CHARACTERISTICS :  
4-1. MATING FORCE: 5~20N;  
4-2. UNMATING FORCE: 8~20N(INITIAL),6~20N(AFTER 10000 CYCLES);  
4-3. DURABILITY : 10,000 MATING CYCLES.  
4-4. OPERATING TEMPERATURE : -40°C TO +80°C

ITEM:USB3.1 TYPE-C 24PF-036

TABLE 1:

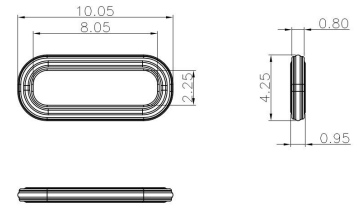
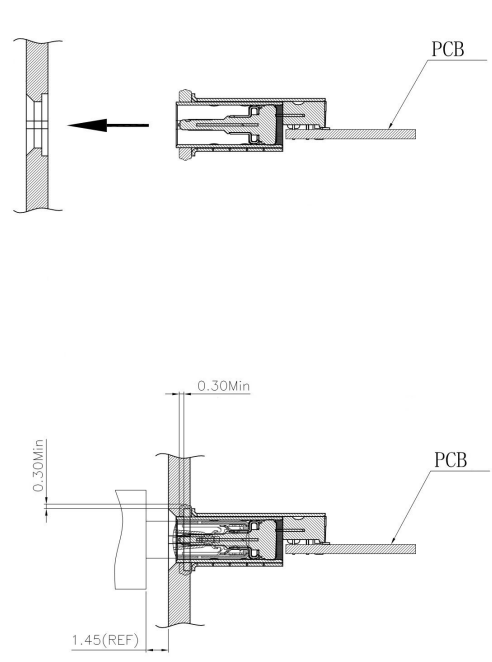
NO.	PART NAME	QTY	MATERIAL	DESCRIPTION	REMARK
⑦	GLUE WATER	1	EPOXY	BLACK;	
⑦	Shell-2	1	Stainless steel	N PLATING;	T=0.20mm
⑥	Shell-1	1	Stainless steel	N PLATING;	T=0.20mm
⑤	GND PLATE	1	Stainless steel	N PLATING;	T=0.10mm
④	MID PLATE	1	Stainless steel		T=0.15mm
③	Terminal-B	12	铜镍硅合金	Au15μ" PLATING;	T=0.12mm
②	Terminal-A	12	铜镍硅合金	Au15μ" PLATING;	T=0.12mm
①	Housing	1	HIGH TEMP	Black	

UNLESS OTHERWISE SPECIFIED:  
GENERAL TOLERANCE:  
X.xxx ±0.10  
X.xx ±0.20  
X.x ±0.30  
X. ±0.38  
ANGULAR:  
X.xx ±1°  
X.x ±3°  
X. ±5°

RUI CHI

P/N: U501T24J4FZL2  
MODEL: U501-F Series  
DRAW NO.:  
THIRD ANGLE PROJECTION UNIT: mm SCALE: 1:1 SIZE: A4 SHEET: 1/2

ECN NO.	REV.	DESCRIPTION	DATE	CHANGE	APPROVAL	2017.04.18
JH2017-048	X1		2017.04.18	Bin	DESIGN	2017.04.18
20161107001	X	NEW DRAWING	2017.02.25	Bin	CHECK	2017.04.18
					APPROVAL	2017.04.18



ITEM:USB3.1 TYPE-C 24PF-036



UNLESS OTHERWISE SPECIFIED:  
GENERAL TOLERANCE:  
X.xxx ±0.10  
X.xx ±0.20  
X.x ±0.30  
X. ±0.38  
ANGULAR:  
X.xx ±1°  
X.x ±3°  
X. ±5°

RUI CHI

P/N: U501T24J4FZL2  
MODEL: U501-F Series  
DRAW NO.:  
THIRD ANGLE PROJECTION UNIT: mm SCALE: 1:1 SIZE: A4 SHEET: 2/2

ECN NO.	REV.	DESCRIPTION	DATE	CHANGE	APPROVAL	2017.04.18
JH2017-048	X1		2017.04.18	Bin	DESIGN	2017.04.18
20161107001	X	NEW DRAWING	2017.02.25	Bin	CHECK	2017.04.18
					APPROVAL	2017.04.18