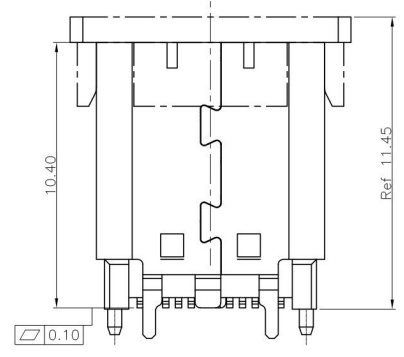
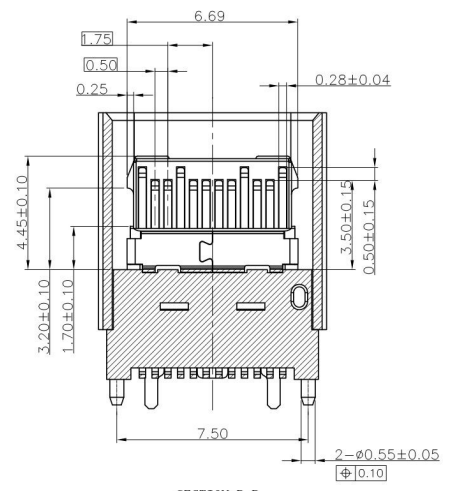
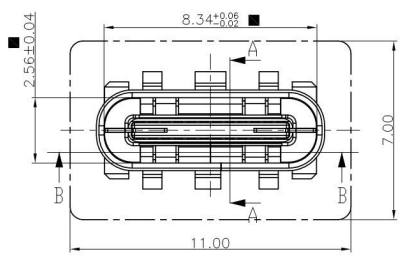
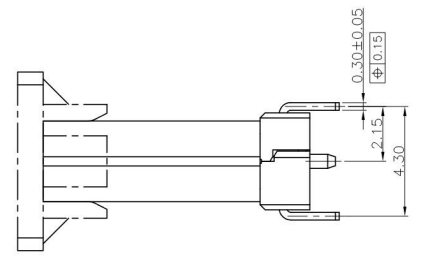
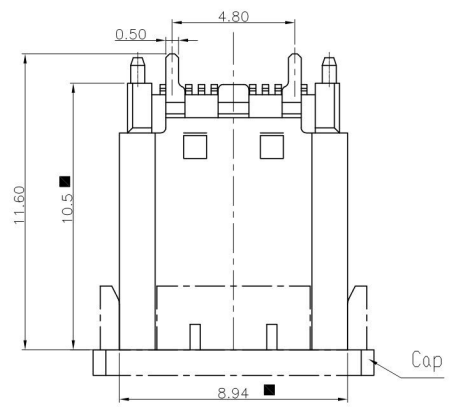
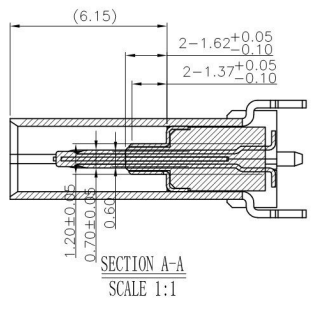


1 2 3 4 5 6 7 8 9 10 11 12 13 14 15 16 17

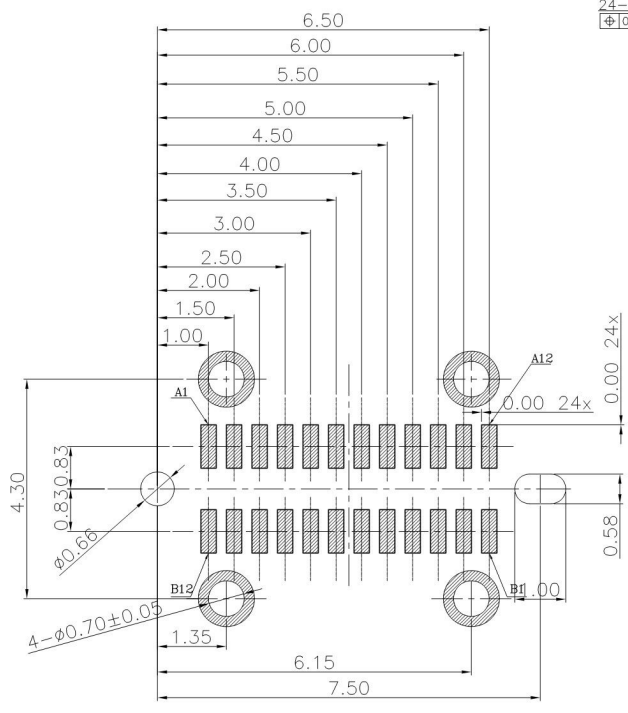
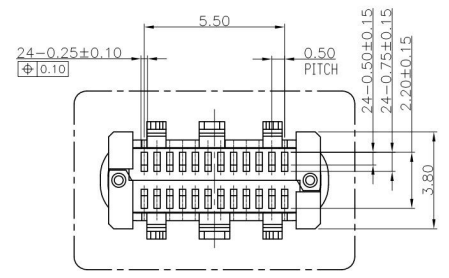
A
B
C
D
E
F
G
H
I
J
K
L
M



NOTES:
1.MATERIAL:
 MOLDING: LCP UL94 V-0
 CONTACT: COPPER ALLOY.
 GOLD PLATED 30u" Min ON CONTACT AREA, 100u"
 Min TIN (LEAD FREE) ON SOLDER AREA,
 SHELL: SUS304-H,T=0.30±0.03mm
 50u" NICKEL PLATING OVER ALL.
 SHILD: SUS304-H,T=0.12±0.03mm
2.MECHANICAL:
 INSERTION: 5~20N.
 EXTRACTION: 8~20N.
 DURABILITY: 10000 CYCLES
3.ELECTRICAL:
 CURRENT: 5A MIN FOR VBUS;
 0.25A MIN FOR OTHER.
 VOLTAGE: 5VAC MAX
 WITHSTANDING VOLTAGE: 100V AC.
 CONTACT RESISTANCE: 40mΩ MAX.
 INSULATION RESISTANCE: 100MΩ MIN.
4.ENVIRONMENTAL
 TEMPERATURE RANGE -55°C ~ +85°C

RoHS

01FS24 SX N207TZL
 A: Plating
 S1-03u"Min.gold in contact area/
 100u"Min.Tin in solder area.
 S2-05u"Min.gold in contact area/
 100u"Min.Tin in solder area.
 S3-gold Flash in contact/
 100u"Min.Tin in solder area.
 S4-10u"Min.gold in contact area/
 100u"Min.Tin in solder area.
 S5-15u"Min.gold in contact area/
 100u"Min.Tin in solder area.
 S6-30u"Min.gold in contact area/
 100u"Min.Tin in solder area.



USB TYPE-C FULL-FEATURED RECEPTACLE INTERFACE PIN ASSIGNMENTS

PIN	Signal Name	Description	PIN	Signal Name	Description
A1	GND	Ground return	B12	GND	Ground return
A2	SSTxp1	Positive half of first SuperSpeed TX differential pair	B11	SSTxn1	Negative half of first SuperSpeed TX differential pair
A3	SSTxn1	Negative half of first SuperSpeed TX differential pair	B10	SSTxp1	Positive half of first SuperSpeed TX differential pair
A4	Vbus	Bus Power	B9	Vbus	Bus Power
A5	CC1	Configuration Channel	B8	CC1	Configuration Channel
A6	Dp1	Positive half of the USB 2.0 differential pair-Position 1	B7	Dn1	Negative half of the USB 2.0 differential pair-Position 1
A7	Dn1	Negative half of the USB 2.0 differential pair-Position 1	B6	Dp1	Positive half of the USB 2.0 differential pair-Position 1
A8	RFU1	Reserved for Future Use (RFU)	B5	RFU1	Reserved for Future Use (RFU)
A9	Vbus	Bus Power	B4	Vbus	Bus Power
A10	SSRXn2	Negative half of second SuperSpeed RX differential pair	B3	SSRXn2	Negative half of second SuperSpeed RX differential pair
A11	SSRXp2	Positive half of second SuperSpeed RX differential pair	B2	SSRXp2	Positive half of second SuperSpeed RX differential pair
A12	GND	Ground return	B1	GND	Ground return

ITEM:USB3.1 TYPE-C 24PF-010

RUI CHI

ECN(DCN) NO.	REV	DATE	DESCRIPTION	CHANGE	APPRO.	General Tolerance	DRAW	
						.X ±0.30		2015' /09/02
						.XX ±0.20	DESIGN	2015' /09/02
						.XXX ±0.10	CHECK	2015' /09/02
	A	15' /09/05	NEW			Angle Tolerance	APPRO.	2015' /09/02
						.X* ±1.0°		
						.XX* ±0.5°		
						.XXX* ±0.2°		

PART NO.	01FS24SXN207TZL	
DWG. NO.	20150912-03	
SCALE	1:1	UNIT:mm A4
SHEET:	1 of 1	