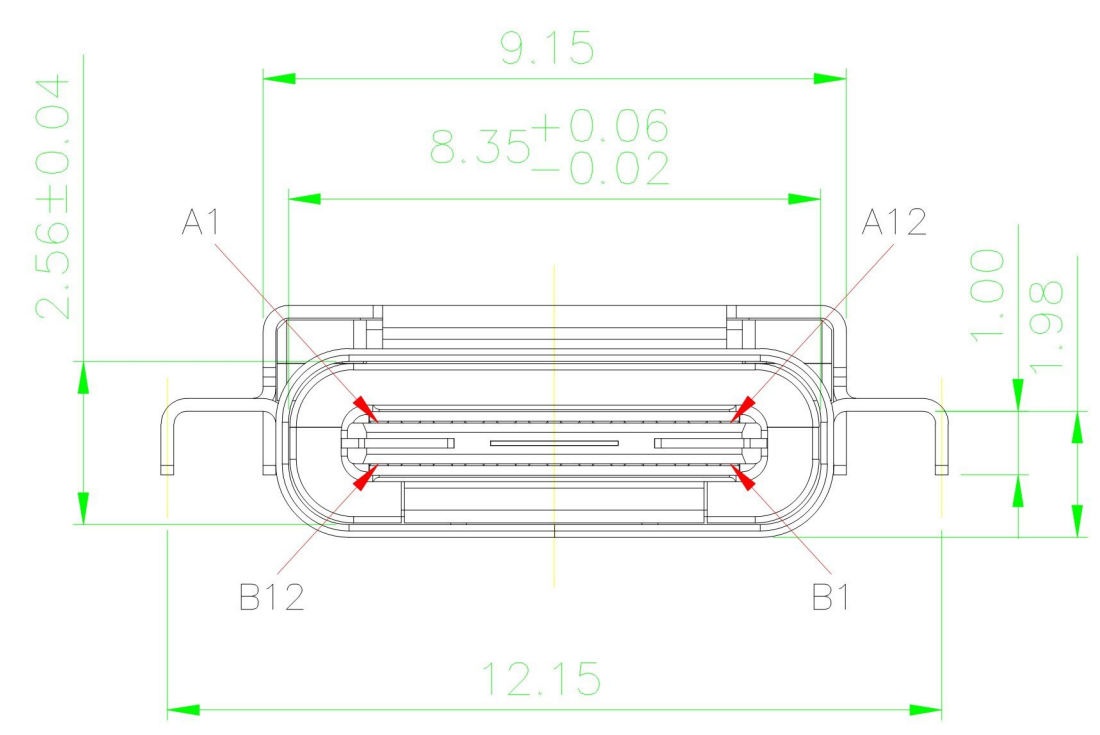
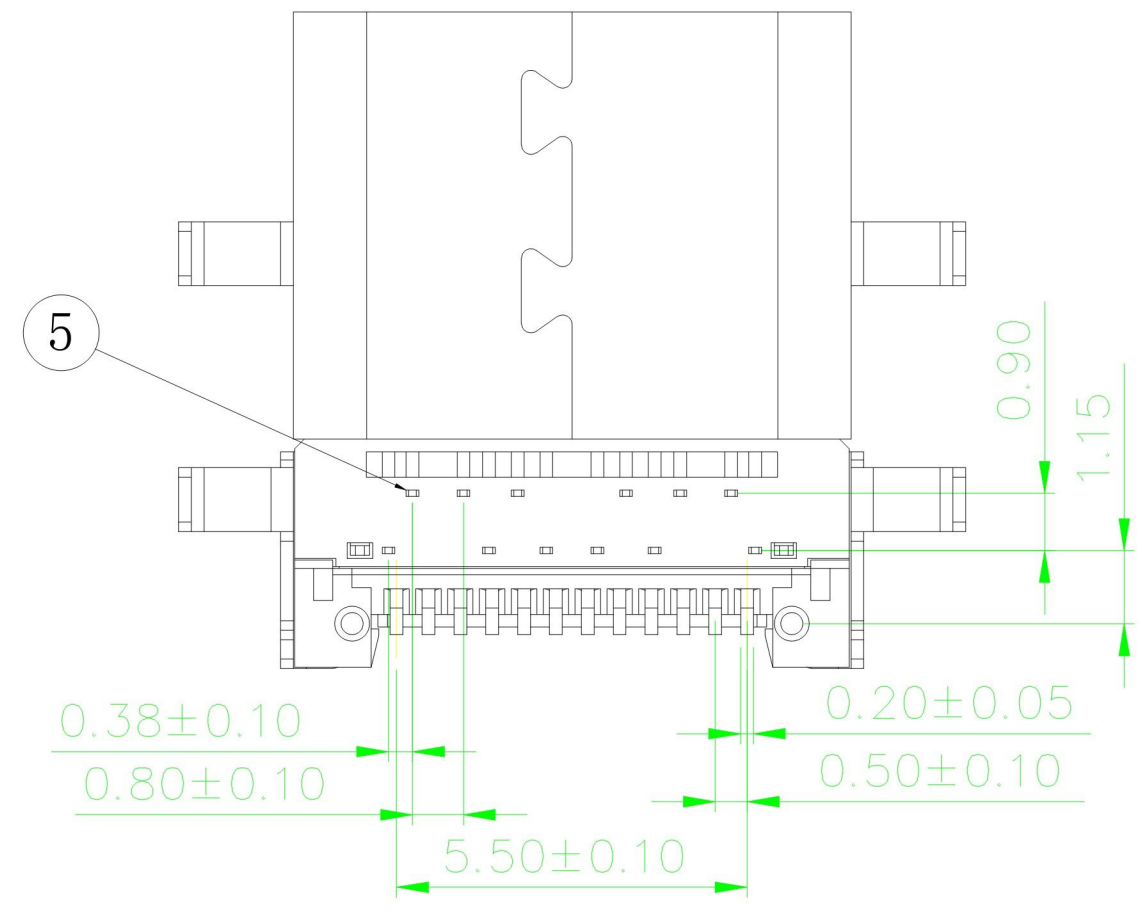
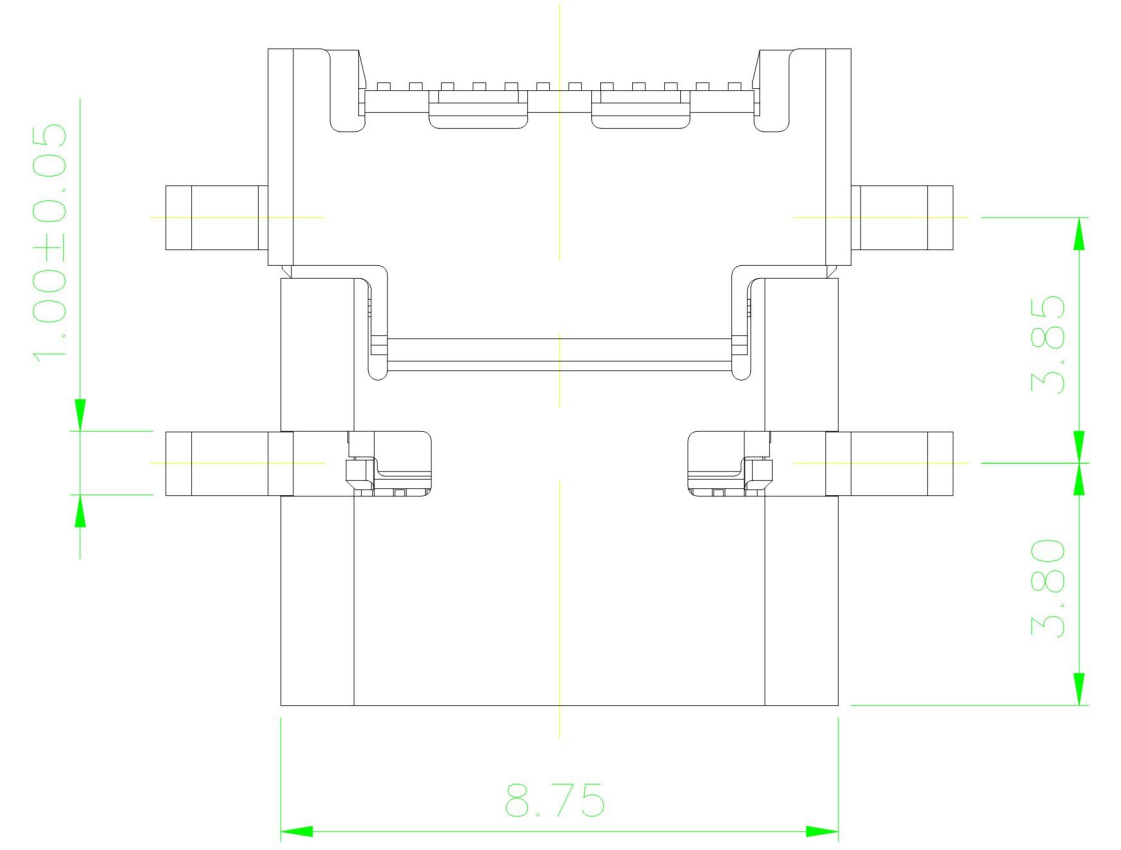


REV.	ECN NO.	DESCRIPTION	DRAW	APPD.	DATE
A	---	?????	DMX	DMX	2016.01.25

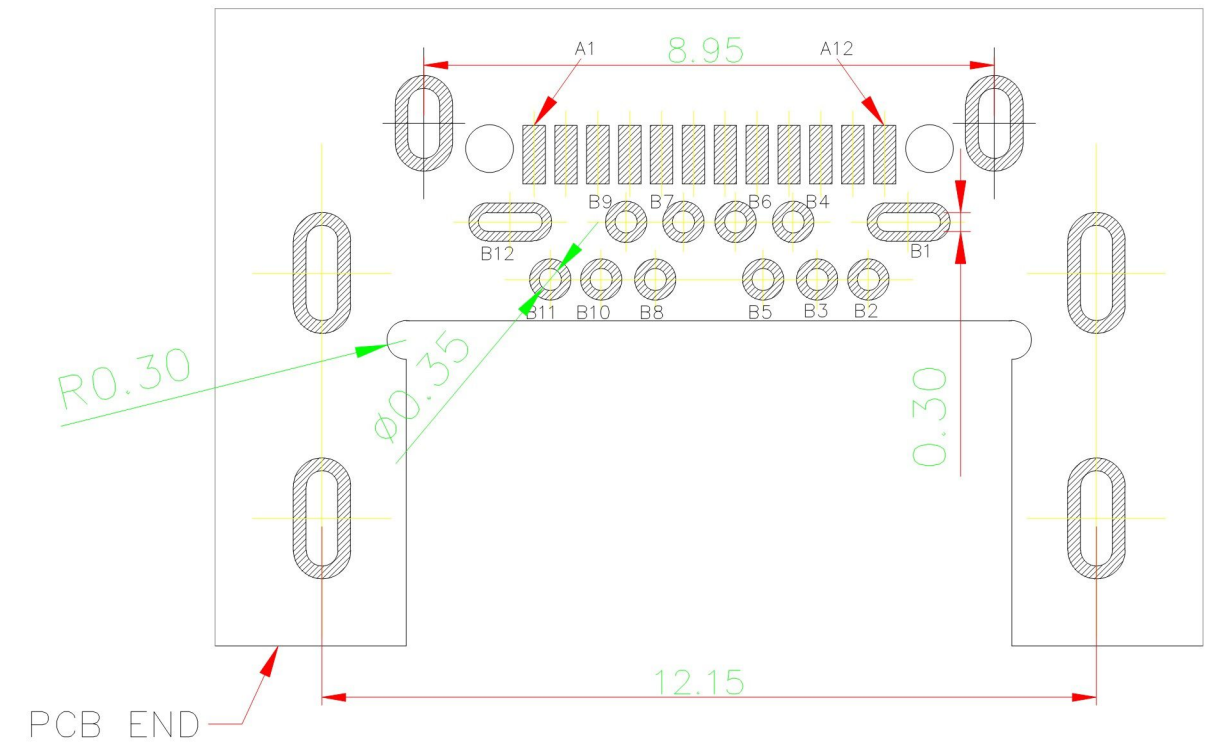
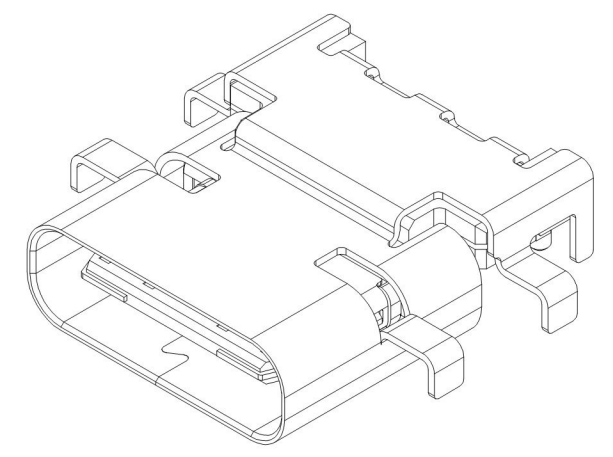
NOTES:

SPECIFICATION:

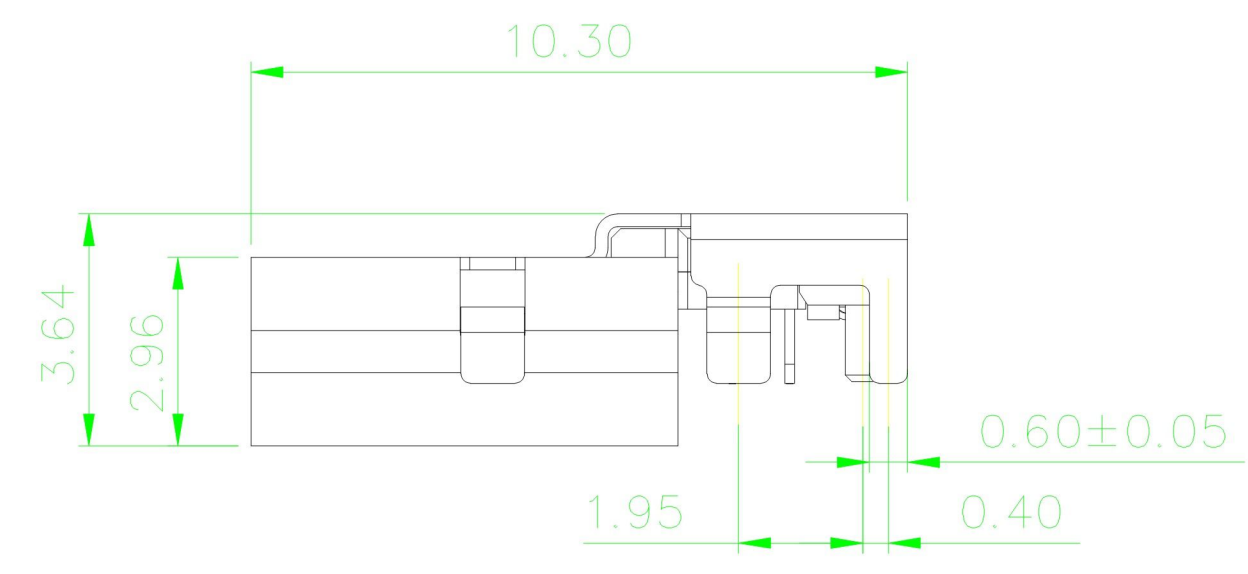
- CURRENT RATING: 5.0A MAX
- VOLTAGE: 100 VAC
- TEMPERATURE RANGE: -30 °C ~ 85 °C
- CONTACT RESISTANCE: 40 MILLIONHM MAX
- INSULATION RESISTANCE: 100 MEGOHMS MIN.
- INSERTION FORCE : 5N~20N
- UNMATING FORCE: 8N~20N
- DURABILITY: 10,000 CYCLES



ITEM:USB3.1 TYPE-C 24PF-005



PCB LAYOUT (RECOMMENDED)
(Tol: ±0.05)



5	SHELL	STAINLESS STEEL	NI/SN Plated	1PCS
4	SPRING	STAINLESS STEEL	---	1PCS
3	SHIELDING PLATE	STAINLESS STEEL	NI Plated	1PCS
2	CONTACT	COPPER ALLOY	Au15u"/NI Plated	1SET
1	HOUSING	HIGH TEMPERATURE PLASTIC	BLACK	1PCS
NO.	DESCRIPTION	MATERIAL	REMARKS	QTY

TOLERANCE		NAME(INTENDED USE) CUSTOMER DRAWING	RUI CHI		
X.X ±0.30	X.* ± 2°	PART NO. 014101040-010	TITLE: USB C F TYPE DIP+SMT 长体		
.XX ±0.20	.X* ± 1°		DRAWG NO. 0141-0010		
.XXX ±0.10	.XX* ±0.5°		SCALE SHEET REV. 1:1 1/1 A		
UNITS	mm	APPD:			
MATERILA		CHED:			
FINISH		DRAW:			