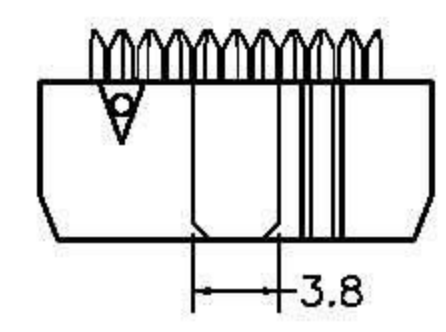
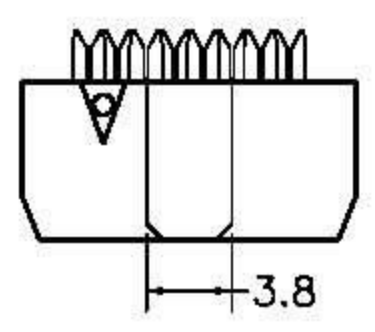
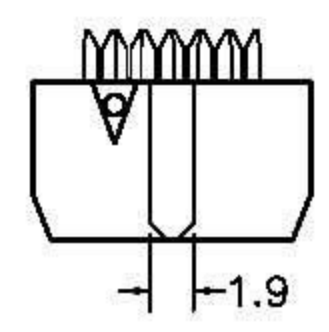
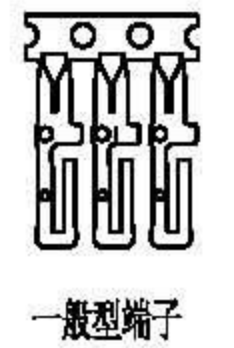
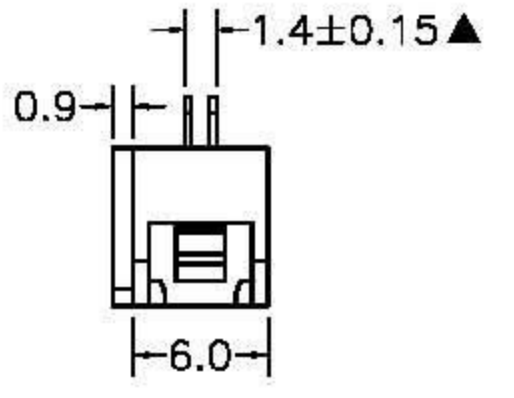
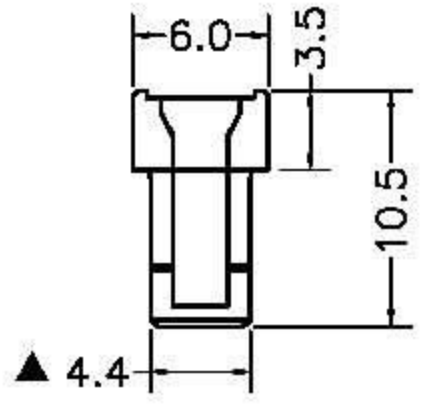
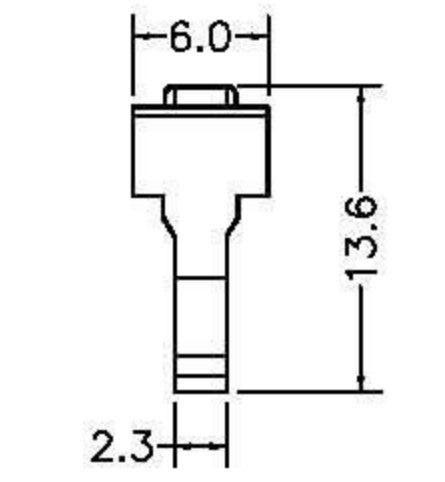
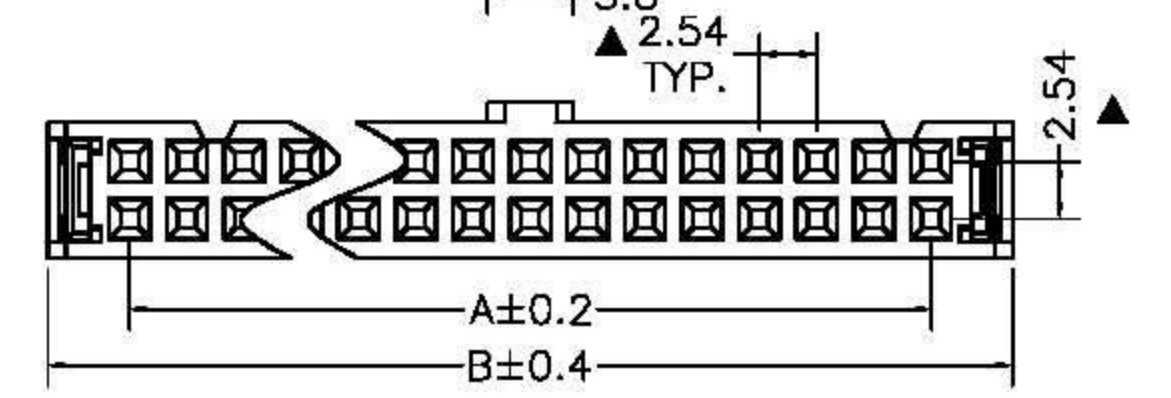
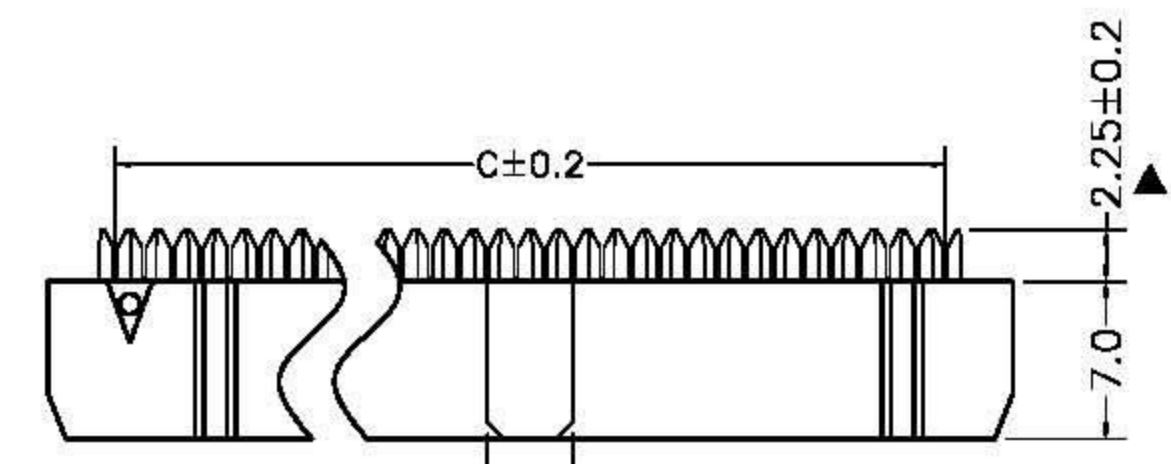
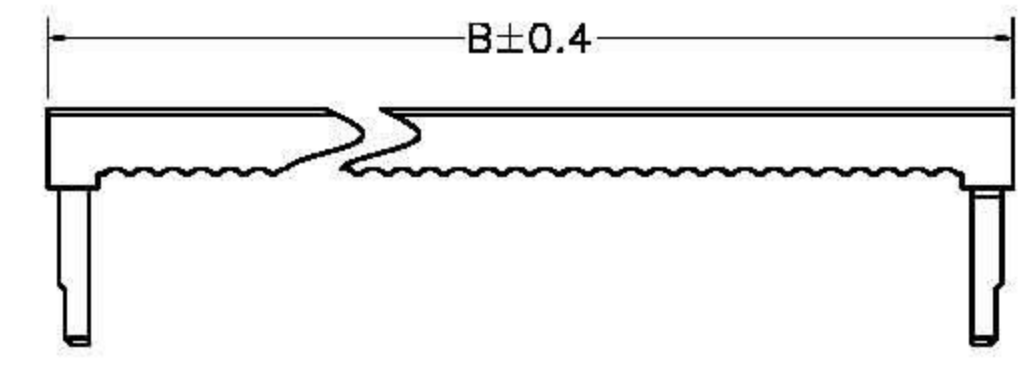
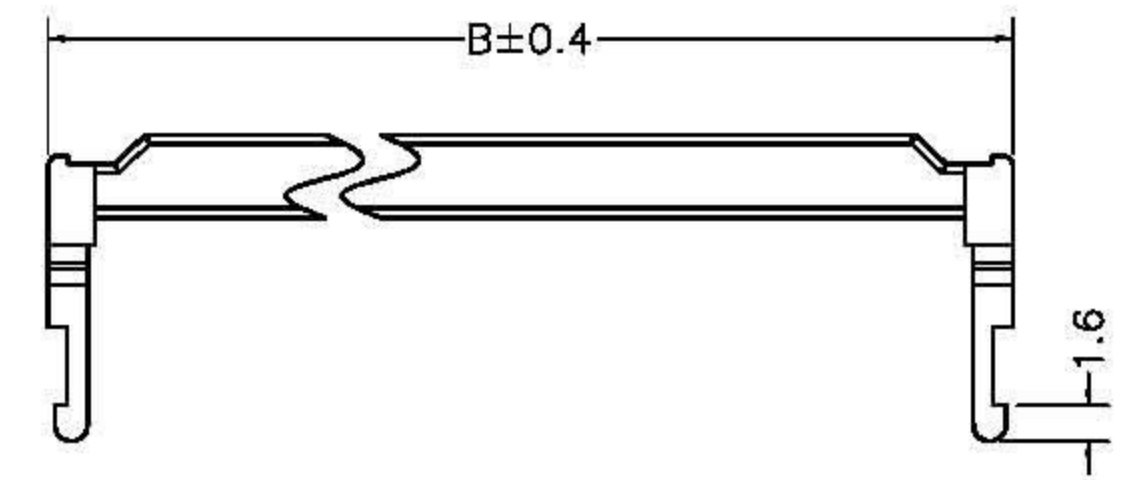
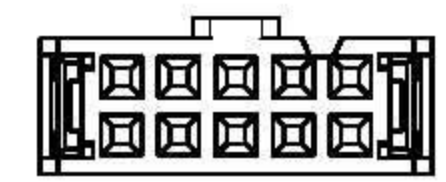
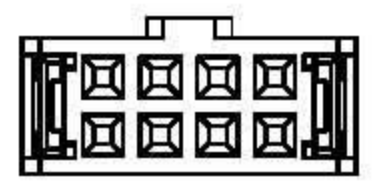
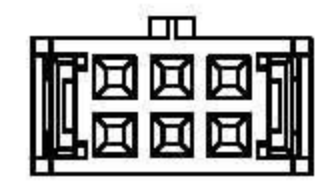


PART NO	Dim. A	Dim. B	Dim. C	Dim. D
6P	5.08	12.32	6.35	1.9
8P	7.62	14.86	8.89	小凸1.9/小凸3.8
10P	10.16	17.40	11.43	3.8
12P	12.70	19.94	13.97	3.8
14P	15.24	22.48	16.51	3.8
16P	17.78	25.02	19.05	3.8
18P	20.32	27.56	21.59	3.8
20P	22.86	30.10	24.13	3.8
22P	25.40	32.64	26.67	3.8
24P	27.94	35.18	29.21	3.8
26P	30.48	37.72	31.75	3.8
28P	33.02	40.26	34.29	3.8
30P	35.56	42.80	36.83	3.8
34P	40.64	47.88	41.91	3.8
36P	43.18	50.42	44.45	3.8
40P	48.26	55.50	49.53	3.8
50P	60.96	68.20	62.23	3.8
60P	73.66	80.90	74.93	3.8
64P	78.74	85.98	80.01	3.8

REV.	DESCRIPTION	DATE
A	原始版本	2009.3.26
B	取消公式, 改用表格	2012.02.26
C	重点尺寸加“三角号”	2012.03.16



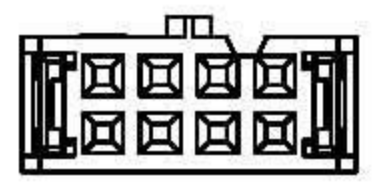
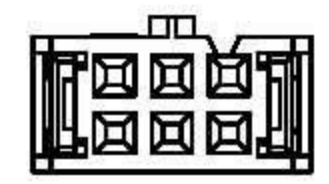
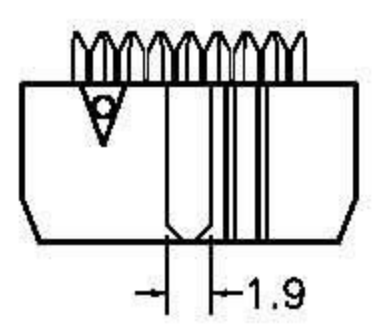
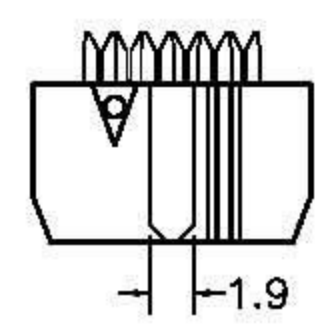
14P-64P 双槽



6P 小鼻/无槽

8P 大鼻/无槽

10P-12P 单槽



6P 小鼻/单槽

8P 小鼻/单槽

MATERIAL&FINISH

Insulator: PBT Glass Fiber(UL94V-0)
 Contact : Brass OR Phosphor bronze
 Contact : Gold-Plated (1u'/3u'/5u'/15u'/30u')Over Nickel.

SPECIFICATIONS

Current Rating :1A AC,DC
 Voltage Rating : 250V AC,DC
 Temperature Range:-40° C To+105° C
 Contact Resistance:20mΩ Max
 Insulation Resistance:1000MΩ Min
 Withstanding Voltage:500V AC/Min

UNLESS TOLERANCE		DRAW BY	杨国祥
GENERAL	ANGLE	DESIGN BY	袁刚
.X ± 0.15	X.' ± 3.0'	CHECK BY	
.XX ± 0.08	.X' ± 2.0'	APPROVE BY	
	.XX' ± 1.0'		
	.XXX' ± 0.5'		
		SCALE	SHEET
		1:1	1/1
		UNIT	MM

RUI CHI		ITEM :	IDC2.54
		DRW NO:	FC-XP
		REV:	C