

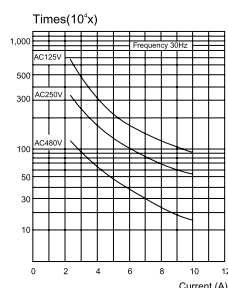
Limit Switch



Features

- Metallic bottom shell
- Stainless steel roller, punch and spring
- Strong electric property 10A, 250V, for 500,000 times

Electrical life



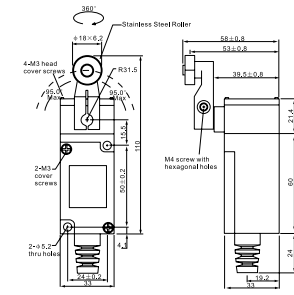
Specification

| Models | HL | 5000 | 5030 | 5050 | 5100 | 5200 | 5220 | 5300 | 5330 | 5381 | 5391 |
|-----------------------|---------|---------|---------|---------|---------|---------|---------|-------|-------|-------|---------|
| Operating force | OF Max. | 750g-cm | 750g-cm | 750g-cm | 750g-cm | 900g-cm | 900g-cm | 150g | 150g | 150g | 550g-cm |
| Release force | RF Min. | 100g-cm | 100g-cm | 100g-cm | 200g | 200g | 200g | 30g | 30g | 30g | 100g-cm |
| Pre-travel | PT Max. | 20° | 20° | 20° | 1.8mm | 1.8mm | 1.8mm | 30mm | 30mm | 30mm | 20° |
| Tripping position | TP 10% | 22.5° | 22.5° | 22.5° | 2.0mm | 2.0mm | 2.0mm | 22.5° | 22.5° | 22.5° | 22.5° |
| Movement differential | MD Max. | 10° | 10° | 10° | 1.2mm | 1.2mm | 1.2mm | 14" | 14 | 14" | 14" |
| Over travel | OT Min. | 75° | 75° | 75° | 4.0mm | 4.0mm | 4.0mm | 20mm | 20mm | 20mm | 75° |
| Total travel | TT Min. | 95° | 95° | 95° | 5.8mm | 5.8mm | 5.8mm | 50mm | 50mm | 50mm | 95° |

Characteristics

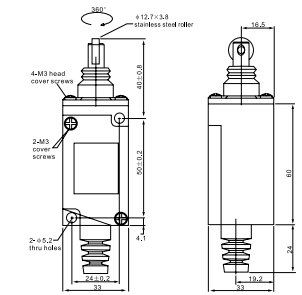
| | |
|--------------------------------|--|
| Double Break Mechanism | INO+INC Force Break snap action |
| Rated Voltage / Current | 10(4)A, 125, 250VAC / 6(2)A, 380VAC For inductance Load, Cos φ =0.4 |
| Contact Resistance | 25m Ω max. (initial value) |
| Insulation Resistance | 100m Ω min. (at 500VDC) |
| Dielectric Strength | 1000VAC, 50/60 HZ for 1 minute between terminals of the same polarity |
| | 1500VAC, 50/60 HZ for 1 minute between current-carrying and non-current-carrying metal parts |
| | 1500VAC, 50/60 HZ for 1 minute between each terminal and ground |
| Electrical Life | 500,000 at 10A 250VAC Resistive |
| Mechanical Life | 10, 000, 000 operations min. (under rated conditions) |
| Operating Speed | 5mm/s to 0.5m/s |
| Degree of Protection | IP65 |
| Ambient Temperature Rised | Max 30 ℃ over ambient temperature at rated voltage/current |
| Conformed Standards | Cenelec EN 50041, EN 50047, IEC 337-1, VDE 0660 |
| Operating Temperature | -5 ℃ ~+65 ℃ (with no icing) |
| Storage Temperature | -5 ℃ ~+65 ℃ (with no icing) |
| Ambient Operating Humdity | 95% RH Max. |
| Shock Resistance | Mechanical durable: 1000m/s ² min. |
| | Malfunction: 300m/s ² min. |
| Vibration Frequency | Malfunction: 10 to 55HZ 1.5mm double amplitude |
| Terminal Screw Torsional Force | 6-8 kgf-cm |
| Other Screw Torsional Force | Cover 12-14 kgf-cm/Head 8-9 kgf-cm/Mounting 50-60 kgf/cm |
| Bare Wire Diameter | ↑ 2 Max |
| Cable Diameter | ↓ 9 Max(IP 65 if use cable ↓ 8-9) |

HL-5000



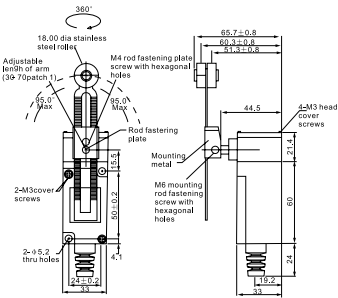
Nylon Roller LSN-5000P

HL-5220

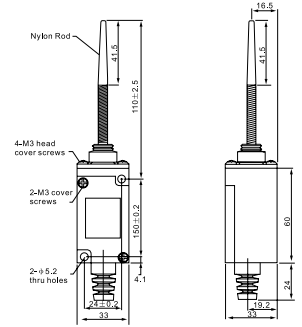


Direction of rotor CHL-5200

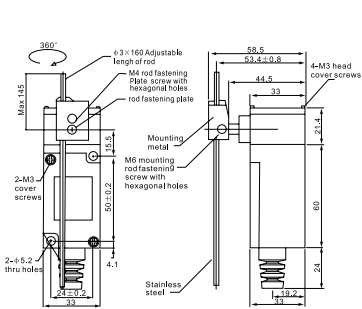
HL-5030



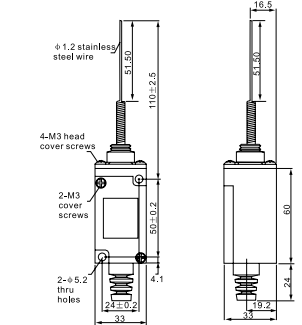
HL-5300



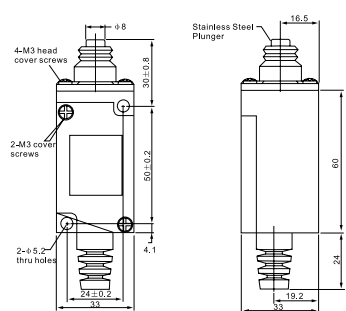
HL-5050



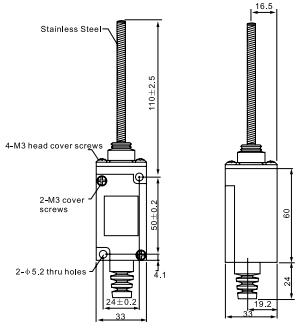
HL-5330



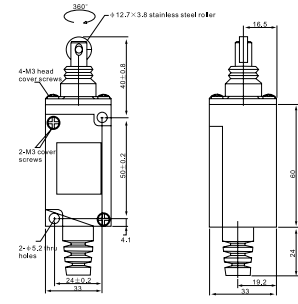
HL-5100



HL-5381



HL-5200



Direction of rotor CHL-5220

HL-5391

