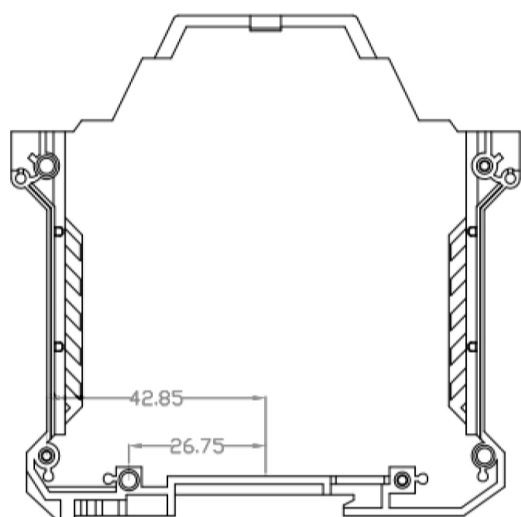
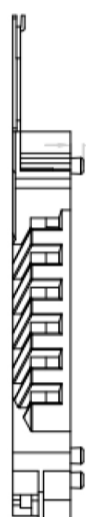
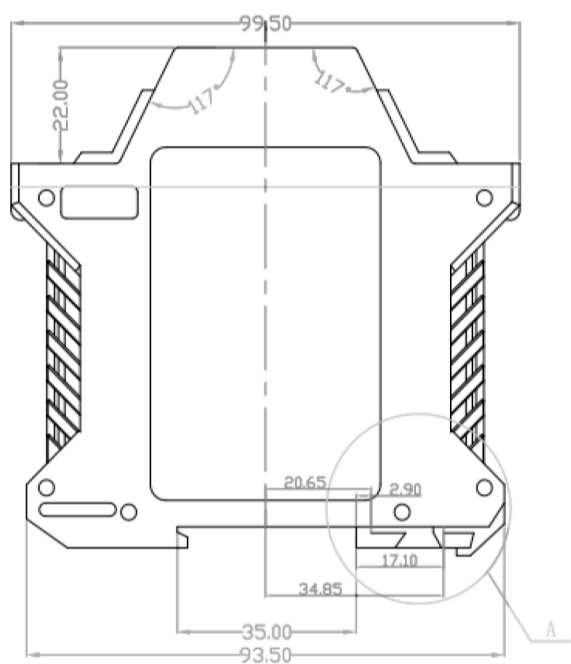
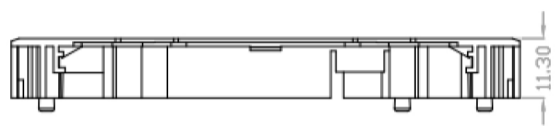
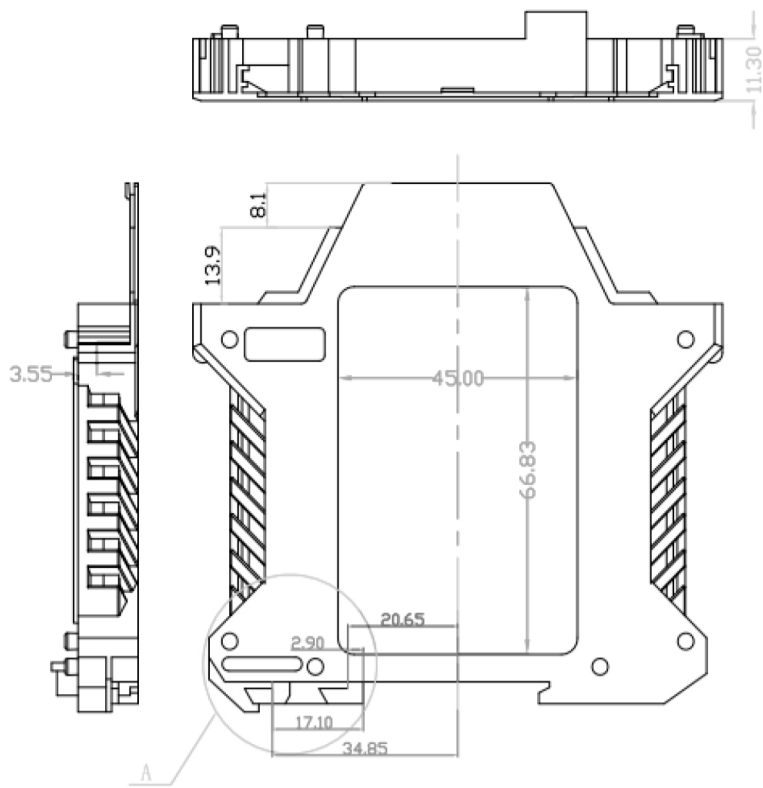
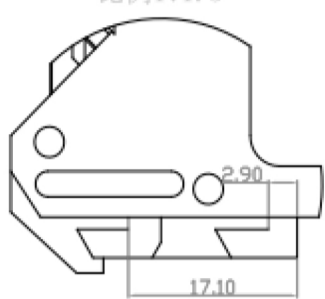
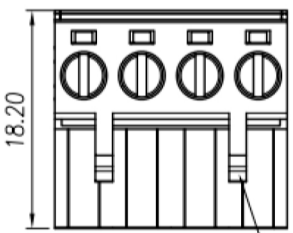
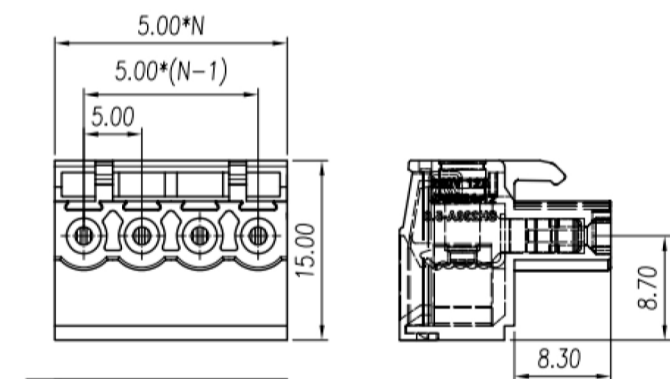
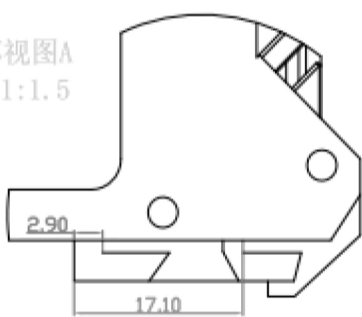


局部视图A

比例1:1.5



局部视图A
比例1:1.5



2位时, 仅此边一个扣

Standard UL

Rated voltage 300V
Rated current 8A
Contact resistance 20mΩ
Insulation resistance 500MΩ/DC500V
Wrth standing voltage AC 2000V/1 Min
Wire range 24~14AWG

Standard IEC

Rated voltage 320V
Rated current 15A
Wire range 2.5mm²

Temp.Range

-40°C~+105°C

MAX Soldering

+250°C for 5 Sec

Torque

0.4Nm

Steip Length

5-6mm

Pitch

5.0mm

Poles

2p,3p,4p,6p

Standard UL

Rated voltage 250V
Rated current 8A
Contact resistance 20mΩ
Insulation resistance 500MΩ/DC500V
Wrth standing voltage AC 2000V/1 Min

Standard IEC

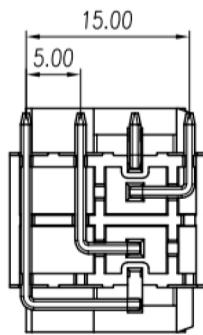
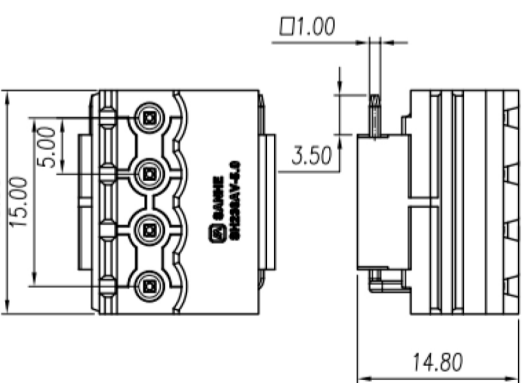
Rated voltage 320V
Rated current 15A
Temp.Range -40°C~+105°C
MAX Soldering +250°C for 5 Sec
Pitch 5.00mm
Poles 4p

Standard UL

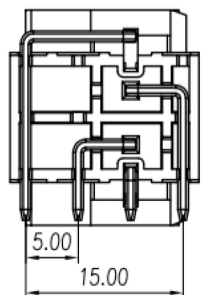
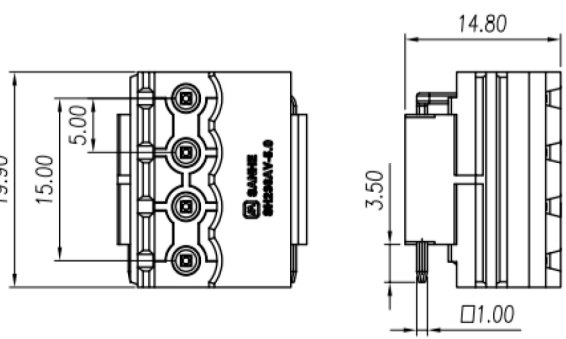
Rated voltage 250V
Rated current 8A
Contact resistance 20mΩ
Insulation resistance 500MΩ/DC500V
Wrth standing voltage AC 2000V/1 Min

Standard IEC

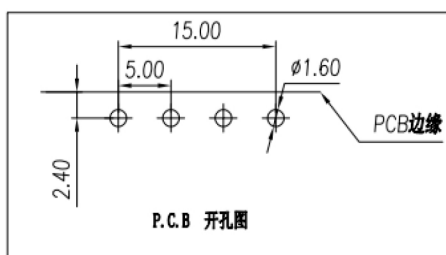
Rated voltage 320V
Rated current 15A
Temp.Range -40°C~+105°C
MAX Soldering +250°C for 5 Sec
Pitch 5.00mm
Poles 4p



Standard UL
Rated voltage 250V
Rated current 8A
Contact resistance 20mΩ
Insulation resistance 500MΩ/DC500V
Wrth standing voltage AC 2000V/1 Min
Standard IEC
Rated voltage 320V
Rated current 15A
Temp.Range -40°C~+105°C
MAX Soldering +250°C for 5 Sec
Pitch 5.00mm
Poles 4p



Standard UL
Rated voltage 250V
Rated current 8A
Contact resistance 20mΩ
Insulation resistance 500MΩ/DC500V
Wrth standing voltage AC 2000V/1 Min
Standard IEC
Rated voltage 320V
Rated current 15A
Temp.Range -40°C~+105°C
MAX Soldering +250°C for 5 Sec
Pitch 5.00mm
Poles 4p



P.C.B 开孔图