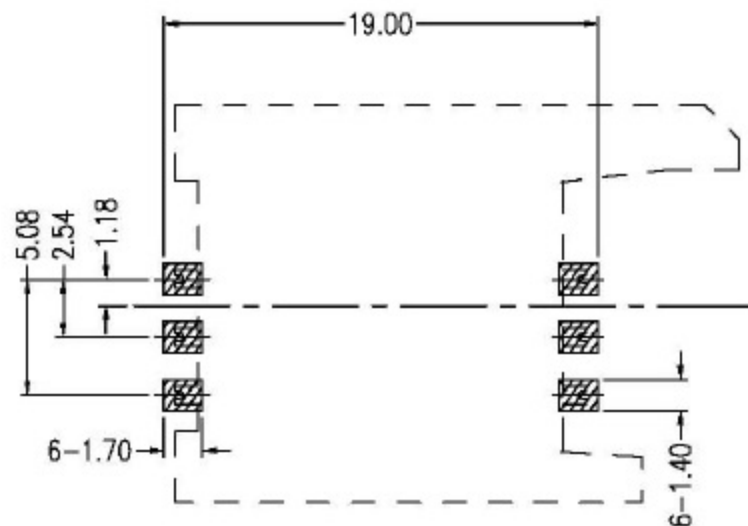
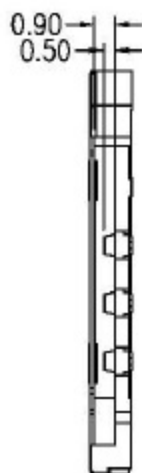
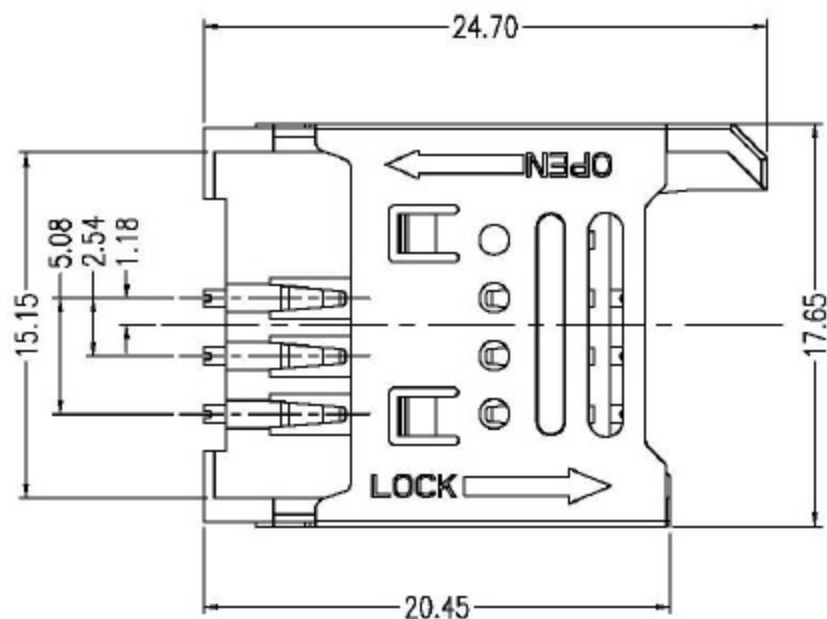


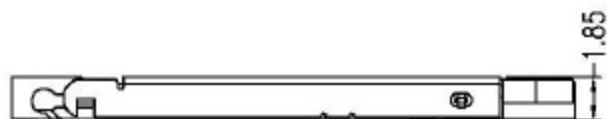
REV.	DESCRIPTION	APPD	DATE



Recommended P.C.B Layout (Tolerance = 0.05)

NOTES:

- Material:
Housing: HI-Temp plastic UL 94V-0
Contact: Copper Alloy
SHELL: STAINLESS STEEL
- Finish:
CONTACT: G/F" Gold plated on contact area;
G/F plated on solder tails, Base Nickel :50u"Min
SHELL: NO PLATE



PART NO:		MATERIAL:		RUI CHI	
LOT NO: XXX		FINISH:			
UNIT: mm	SIZE: A4	COLOR:		SIM-06A	
TOLERANCES: X.X=±0.35 X.XX=±0.25 X.XXX=±0.15		GENERAL ANGLE: X.X=±3.0° X.XX=±2.0°			
		DR:		DWC NO: SIM 掀盖 6pin H=1.8mm	
		CHK:		REV: c/o	
		APP:		SCALE: 1:1 SHEET: 1 OF 1	