



Product Name	Мощные постоянные резисторы				
Version	A1	Enactment Date	13-07 -2012	Page	2-1

1、 Indication

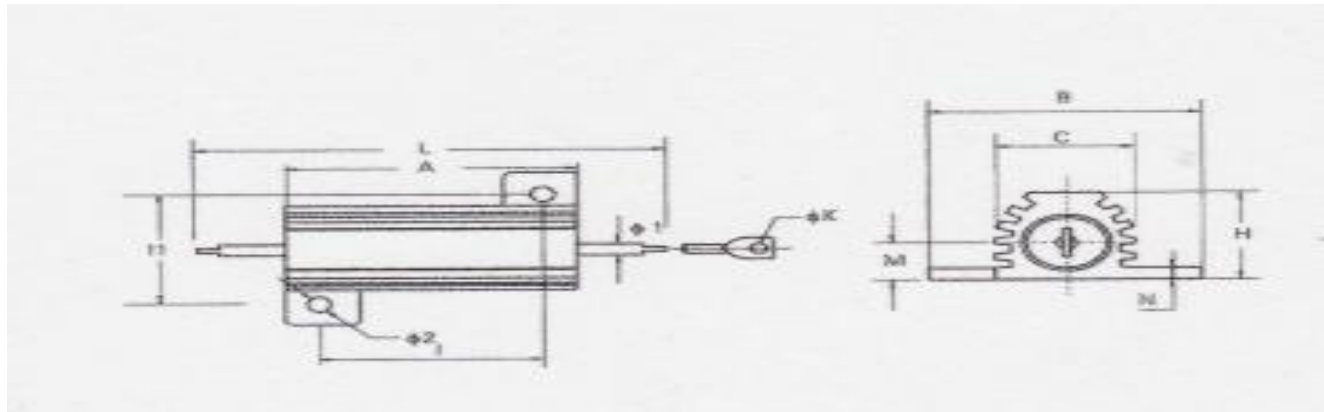
- (1) Rated Power
- (2) Resistance
- (3) Tolerance

Sample:

10W 5Ω J

2、 External dimensions

2.1 AH-10type



3. Graphic size

4: Resistance Technical Parameters

Power Rating	A	B	L	H	I	C	M	N
10W	20	21	40	10	14	11	5	2