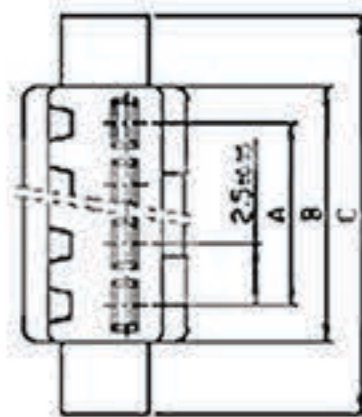
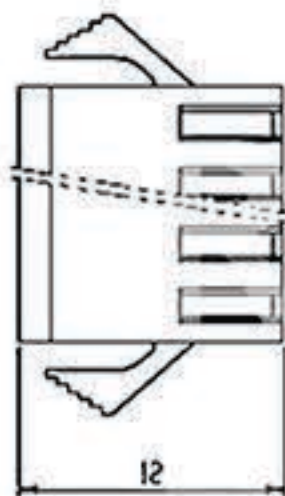


HOUSING

Material: Nylon 66 UL 94V-0

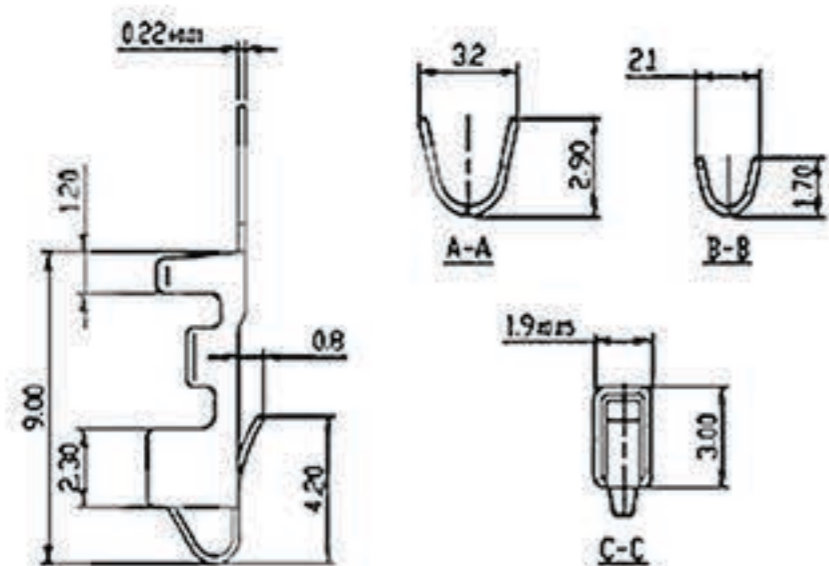
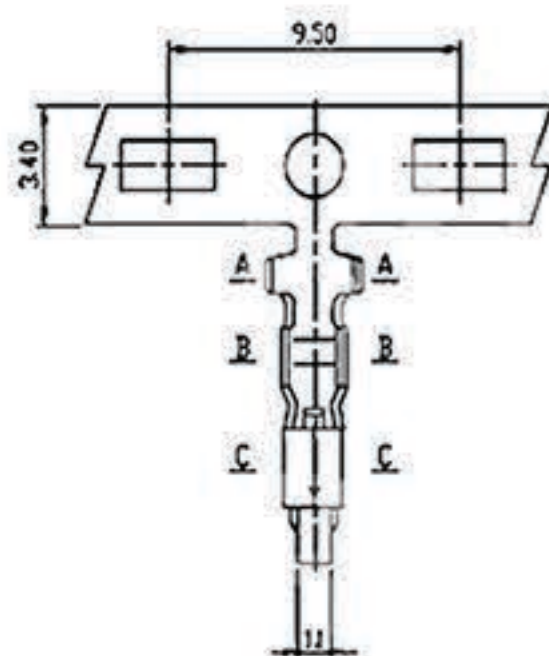
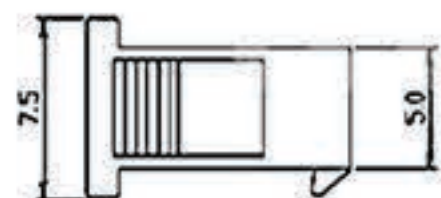


Poles	Dimensions mm		
	A	B	C
2	2.50	5.5	11.6
3	5.00	8.0	14.1
4	7.50	10.5	16.6
5	10.00	13.0	19.1
6	12.50	15.5	21.6
7	15.00	18.0	24.1
8	17.50	20.5	26.8
9	20.00	23.0	29.1
10	22.50	25.5	31.6
11	25.00	28.0	34.1
12	27.50	30.5	36.6
13	30.00	33.0	39.1
14	32.50	35.5	41.6
15	35.00	38.0	44.1
16	37.50	40.5	46.6

>0~3	>3~18	>18~50	>50~120
±0.12	±0.15	±0.3	±0.5

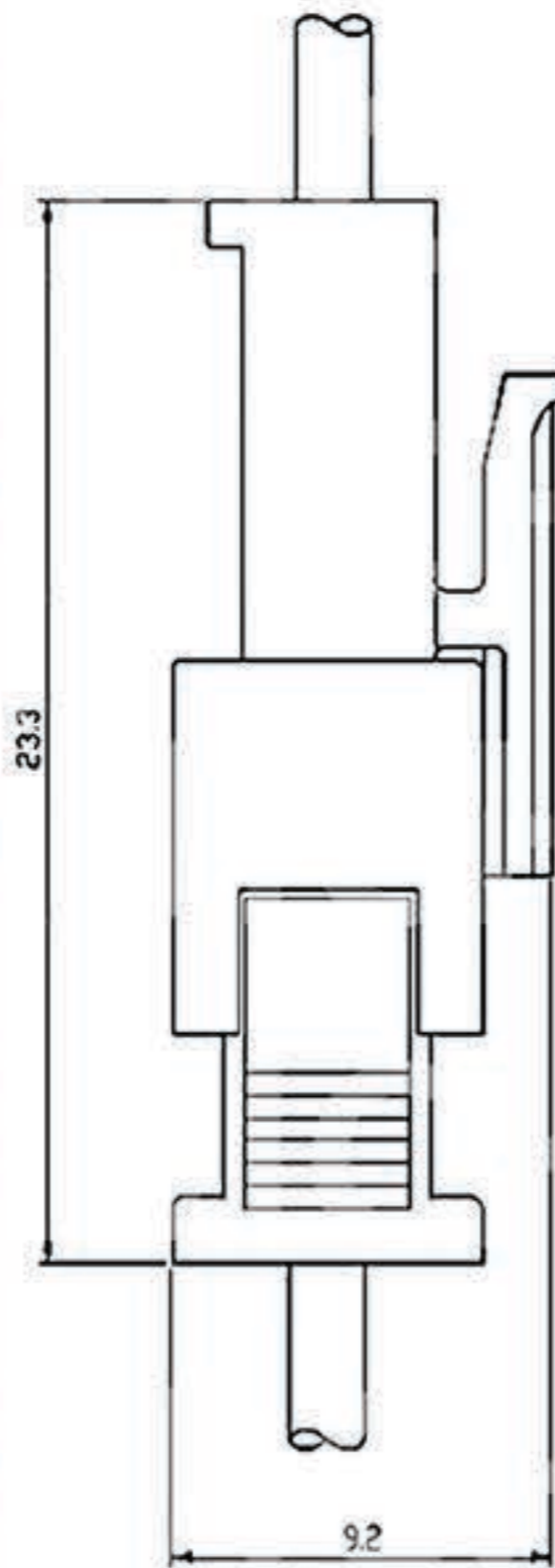
F

TERMINAL



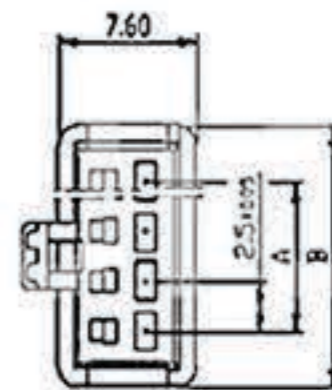
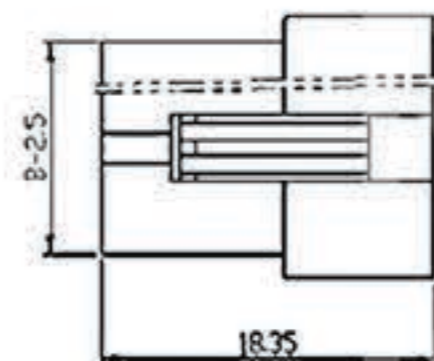
>0~3	>3~18	>18~50	>50~120
±0.12	±0.15	±0.3	±0.5

Wire Range	Insulation O.D	Material	Finish	Qty/reel
AWG #28 to #22	1.2 to 1.8mm	Phosphor bronze	Tin-plated	5,000pcs



HOUSING

Material: Nylon 66 UL 94V-0

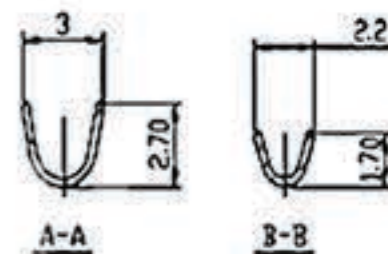
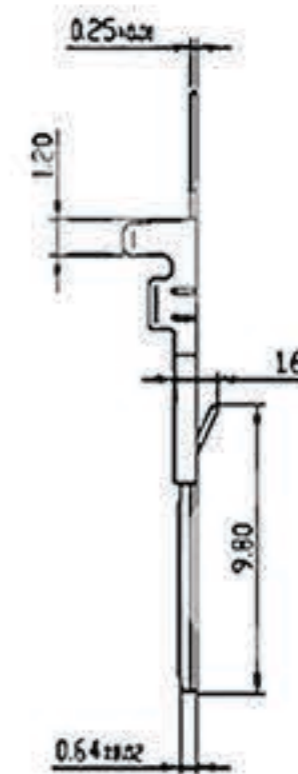
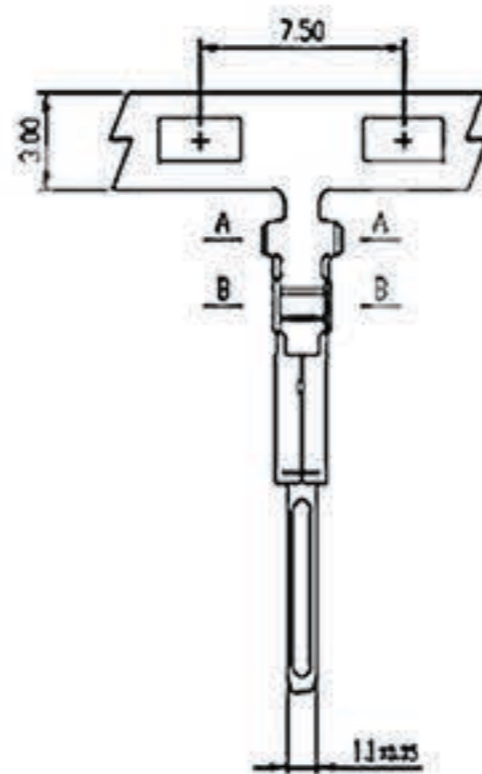


Poles	Dimensions mm	
	A	B
2	2.50	8.1
3	5.00	10.6
4	7.50	13.1
5	10.00	15.6
6	12.50	18.1
7	15.00	20.6
8	17.50	23.1
9	20.00	25.6
10	22.50	28.1
11	25.00	30.6
12	27.50	33.1
13	30.00	35.6
14	32.50	38.1
15	35.00	40.6
16	37.50	43.1

>0~3	>3~18	>18~50	>50~120
±0.12	±0.15	±0.3	±0.5

M

TERMINAL



>0~3	>3~18	>18~50	>50~120
±0.12	±0.15	±0.3	±0.5

Wire Range	Insulation O.D	Material	Finish	Qty/reel
AWG #28 to #22	1.2 to 1.8mm	Phosphor bronze	Tin-plated	7,000pcs